

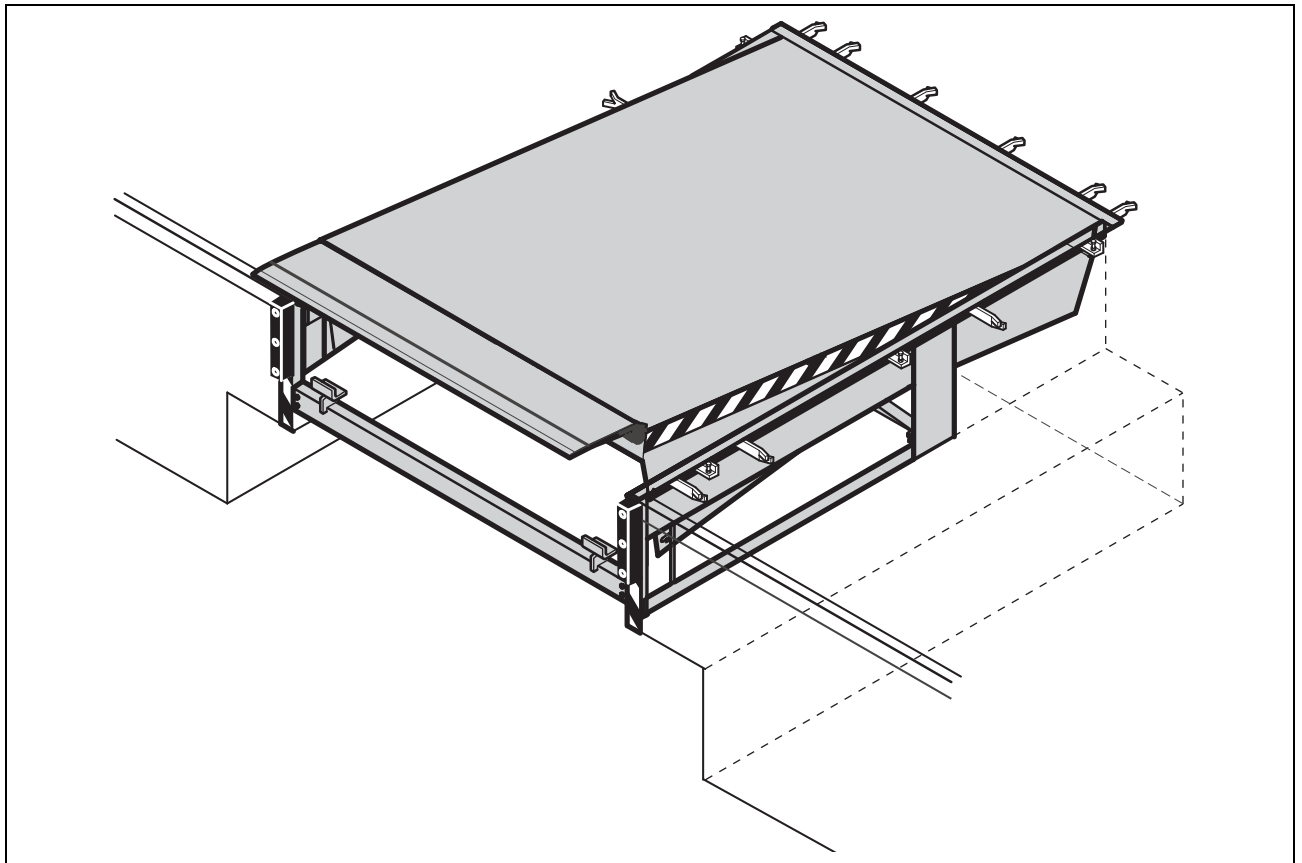
Product data sheet

SwingDOCK 80kN

Hydraulic Dock Leveller with Swing Lip

Article No.: A2020128

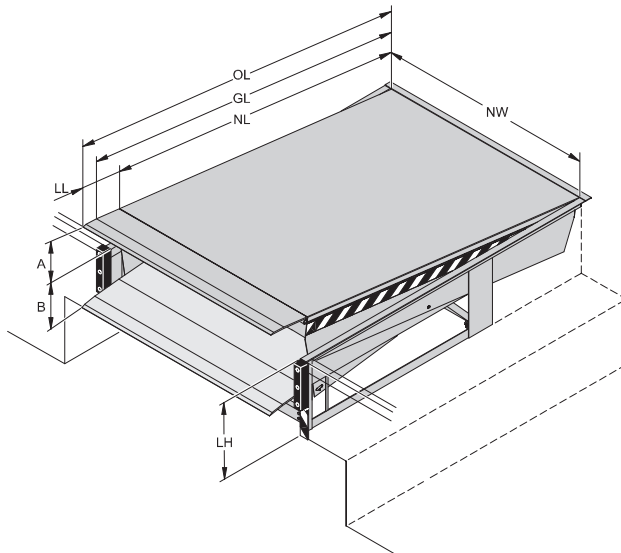
Load capacity: see specification plate



Stationary Dock Leveller with Swing Lip

The stationary dock leveller with swing lip incorporates the most recent developments in our proven range of hydraulic swing lip levellers. The electro-hydraulic version is easily operated. Once the vehicle has docked the leveller is easily positioned by the touch of a single button. By keeping the button depressed the platform will fully rise and the lip will automatically swing out, then by releasing the button the leveller will slowly lower until the lip comes to rest on the vehicle bed, the leveller then adjusts automatically to the varying heights of the vehicle, as goods are loaded and unloaded.

The stationary dock leveller can be supplied in a range of integrated frames designed to best suit the application, whichever option is selected the benefits associated with this type of design, such as consistent clearance between leveller frame and platform and ease of installation can be enjoyed. The rated load capacity allows for the most unfavourable application of that load under normal use. The new features of this leveller ensure it complies with the new European EN 1398 standard.



- NL Nominal length
- NW Nominal width
- OL Overall length [NL + 330]
- GL Gradient length [NL + 190]
- LL Lip length = 400 mm
- LH Leveller height
- A Level equalisation above dock
- B Level equalisation below dock

According to EN 1398 the dock leveller is not allowed to be operated outside the permissible gradient range of $\pm 12.5\%$ (approx. $\pm 7^\circ$). The gradient range may only be exceeded if the operator ensures that the danger of slipping has been eliminated (for example due to dry and clean surfaces).

Dock leveller		BASIC*, CLASSIC, ADVANCED	
NL	LH	A	B
2000	600	250	290
	700	290	340
2500	600	310	270
	700	360	330
3000	600	360	270
	700	430	320
3500	800	520	350
4000	900	570	300

Nominal width (NW) 2000, 2200, 2250 for all sizes All sizes in mm.

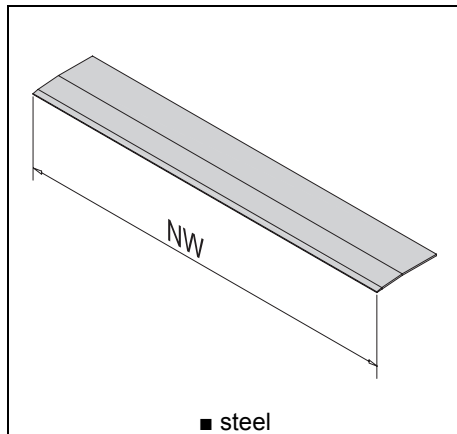
* only till NL [nominal length] = < 3000
Load capacity for all sizes: 80 kN

Package

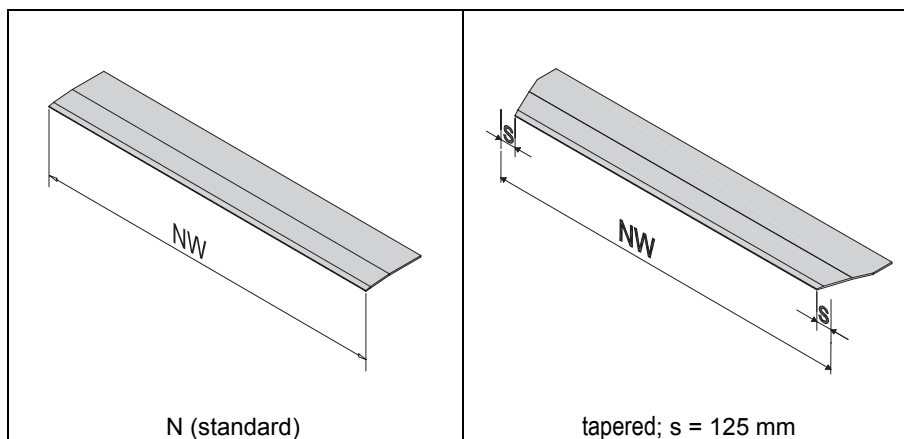
		BASIC	CLASSIC	ADVANCED
Swing lip	steel	■	■	■
control unit	SuperVISION 105	■	—	—
	SuperVISION 105A	—	■	—
	SuperVISION i105	—	—	■
	SuperVISION i305	—	—	□
	SuperVISION i400	—	—	□

■ = standard □ = option — = not available

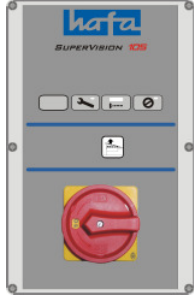




Swing lip material



Lip options for all packages



Control units

BASIC	CLASSIC	ADVANCED		
				
■ SuperVISION 105	■ SuperVISION 105A	■ SuperVISION i105	□ SuperVISION i305	□ SuperVISION i400
*	*	*	*	*
	A	A	A	A
		i	i	i
			T	T
				LCD

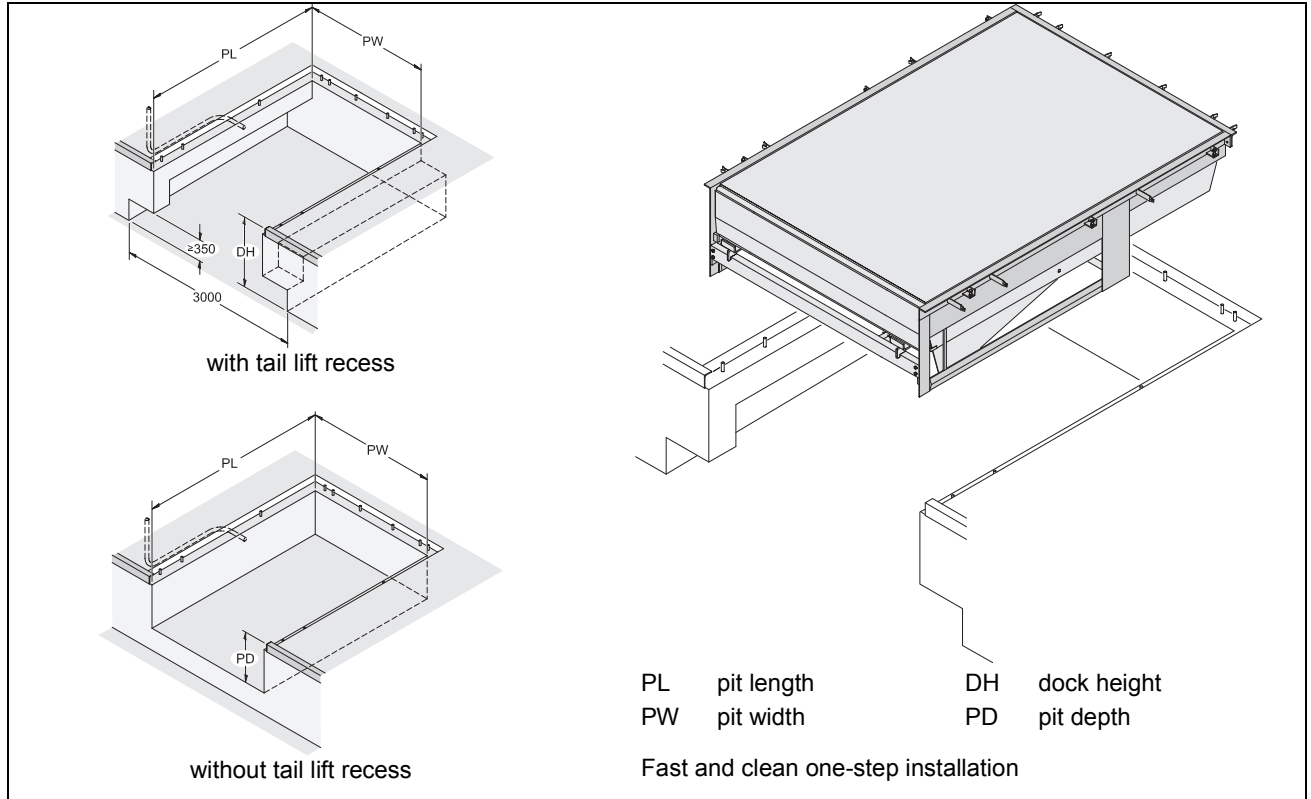
■ Standard □ Option

- * Infrared Interface*
Maintenance Indicator
hafa-Memory*
Onboard Diagnosis (OBD)
- A Auto button
- i Integrated Real-time Clock
3-digit Display
BUS Network Interface
Safety Options: automatic return, integrated hafaEYE and wheel chock
- T Integrated Door Control
- LCD Display
Online User Manual, 15 languages
Online Status Indicator

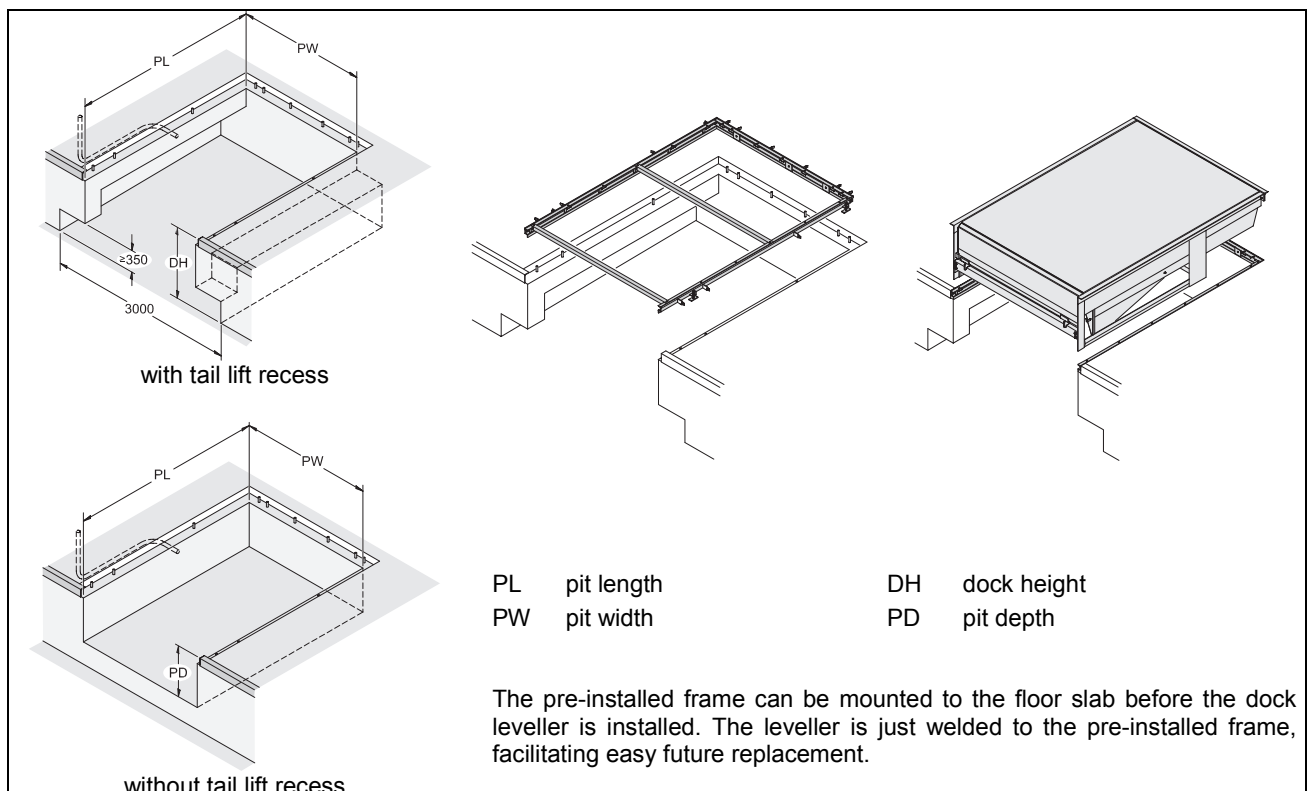
*) not available with SuperVISION i400

Pits

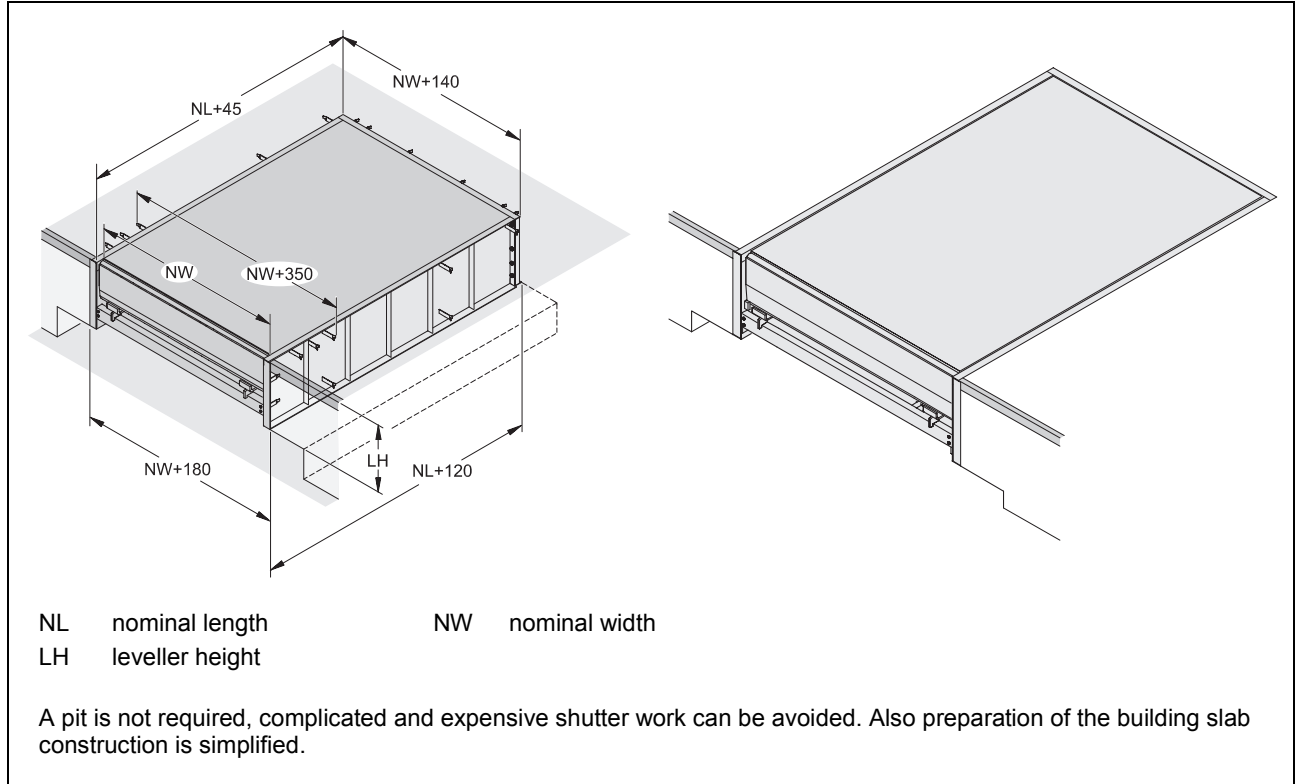
T [leveller frame for embedding in concrete]



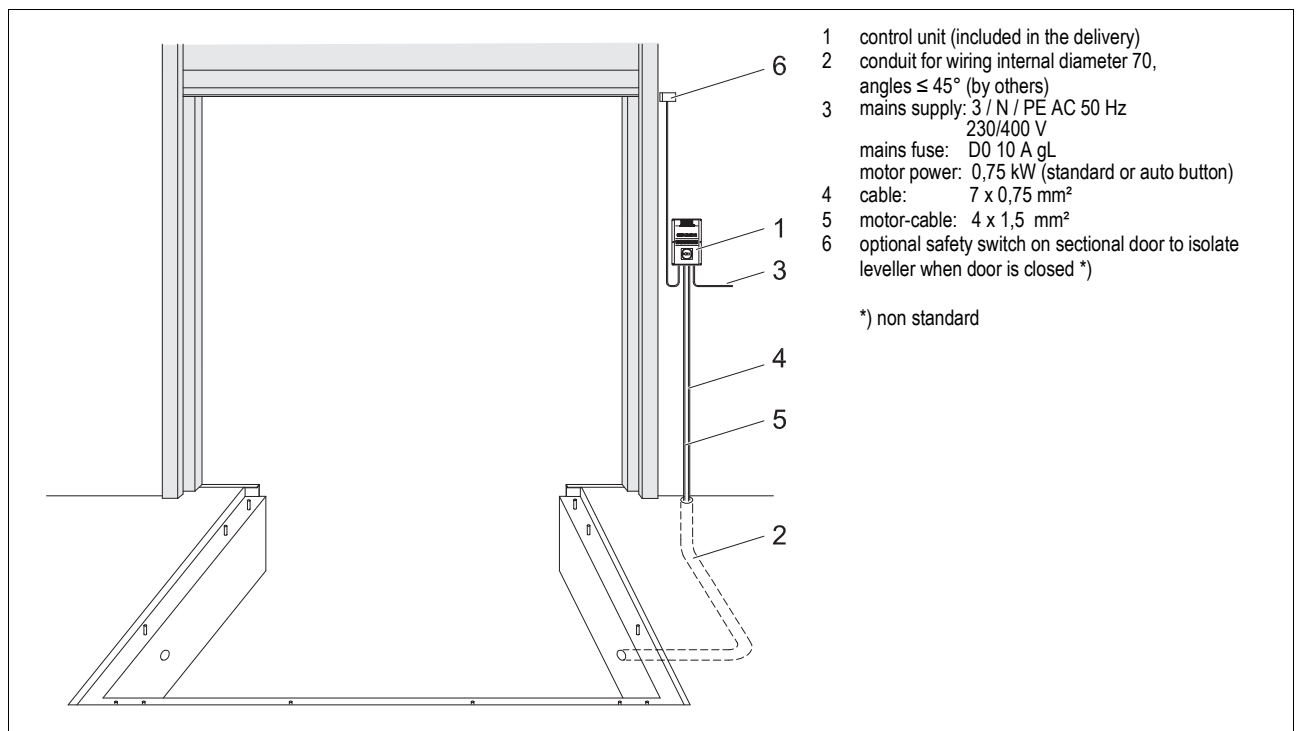
W [leveller frame for welding]



B [box-frame]



Electrical preparations



OPTIONEN	BASIC	CLASSIC	ADVANCED
Frames – connection to building			
T-Frame [hafa standard]	■	■	■
P-Frame [hafa pit frame for welding]	□	□	□
B-Frame [hafa box frame]	-	□	□
Lip options			
Steel lip bent	■	■	■
Steel lip straight	□	□	□
Steel lip tapered	□	□	□
Surface			
Standard colour RAL 5010	■	■	■
Off standard colour RAL XXXX	□	□	□
Hot galvanized	□	□	□
Energy & Ergonomics			
EPDM seal	□	□	□
40 mm platform insulation	-	□	□
Slip protection / noise reduction	-	□	□
Control Options			
Integrated door control	-	-	□
Integrated dock shelter control	-	-	□
Integrated door / dock shelter control	-	-	□
Limit switch cross traffic position	-	- *	■
Voltage 400 V	■	■	■
Voltage 230 V	□	□	□
Cable harness, 7m	■	■	■
Cable extension	□	□	□
Infrared interface	■	■	■
LCD display	-	-	□
Online user manual, 15 languages	-	-	□
On/off dock shelter control	-	-	□
Hydraulic Equipment			
Low noise hydraulic unit	■	■	■
Three hydraulic cylinders	■	■	■
Low temperature oil	□	□	□
“BIO” oil (Environment)	□	□	□

OPTIONEN	BASIC	CLASSIC	ADVANCED
Safety Options			
hafa SafeGuard	■	■	■
Automatic return in cross traffic position	-	-	□
Auto button	-	■	■
Mains isolator	■	■	■
Emergency stop push button	□	□	□
External emergency stop push button	□	□	□
hafaEYE or traffic light**	_*	_*	□
Wheel chock	_*	_*	□
Service Options			
Maintenance indicator	■	■	■
Failure code and memory	■	■	■
LoadDOCK Management			
BUS Network Interface	-	-	■
LoadDOCK Navigation, Monitoring, Security	-	-	□
Equipment			
Buffer RB and RS [rubber buffer]	□	□	□
Buffer EBH [height adjustable buffer]	□	□	□
Buffer EBF [floating buffer]	□	□	□
Dock light	_*	_*	□
Interlocking leveller/door (photo cell)	□	□	□

■ standard □ option – not available

* only available as equipment but not in connection with a control unit

** depends on site situation (see hafaEYE restrictions)