



Doc.-No.:
01_R0020105_EN_1-D-80-E_1.0.0.doc
Date:
2003-03-06

Security level:
1

Product data sheet
Parking guides EG
Page: 1 / 3
Folder: 1-D-80

Product data sheet

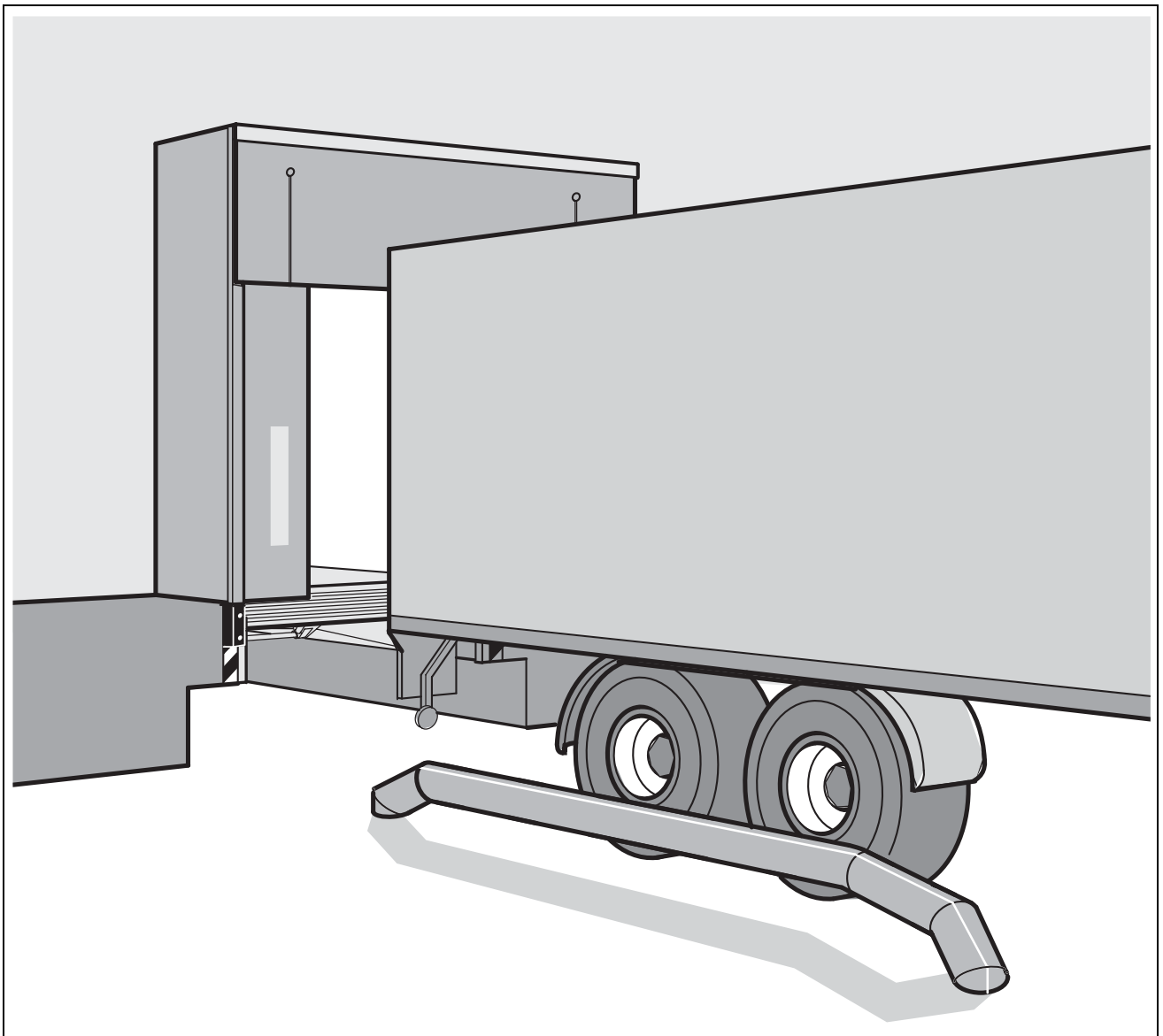
EG

Model: EG - Parking guides

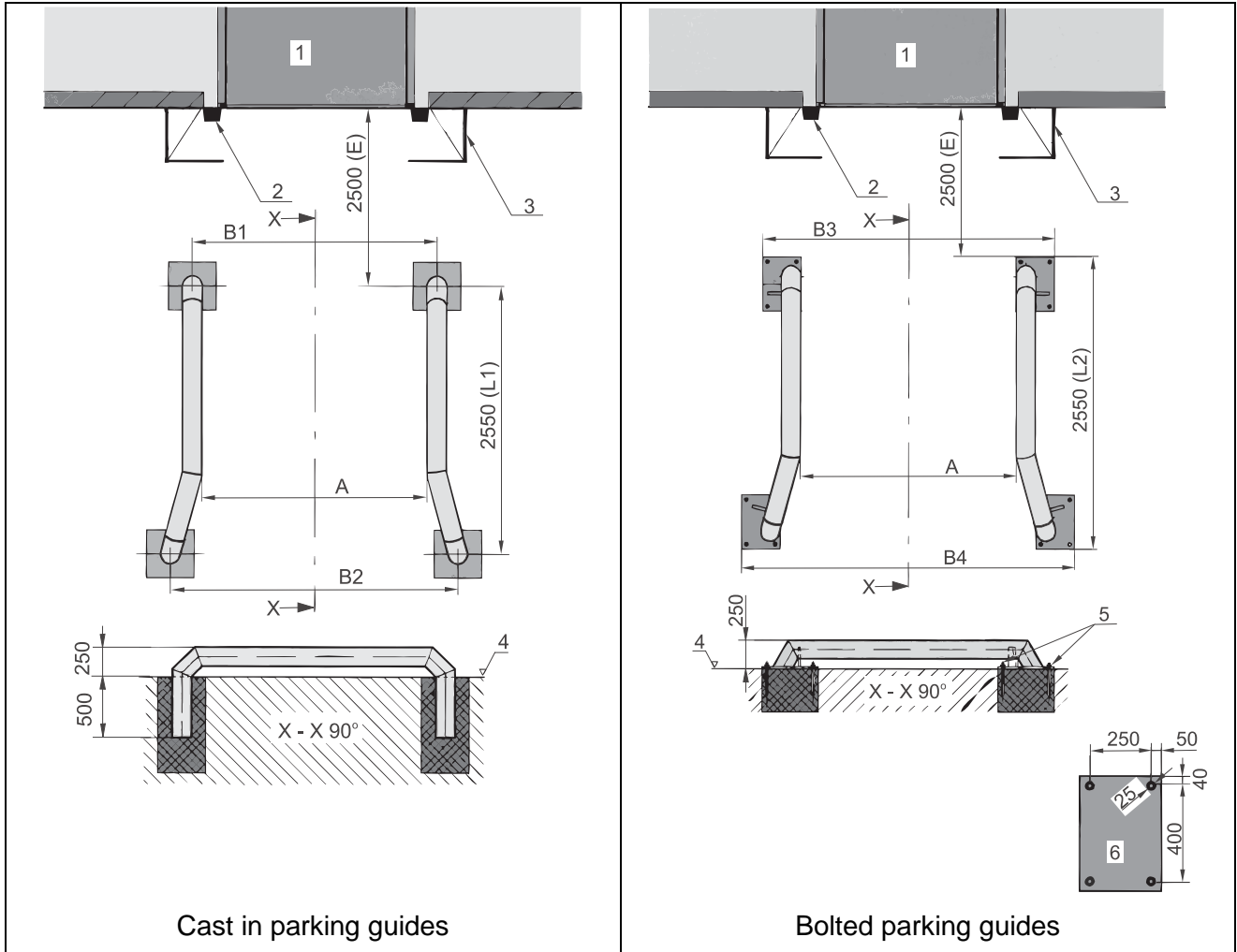
Serial number: R0020105

Vehicle parking guides

Parking guides are a simple but effective aid to precise positioning of a docking vehicle on the loading bay. This also reduces the possibility of damage to the vehicle, dock shelter, dock or the building. They are available in two versions depending on the method of installation and can be supplied galvanised or galvanised with yellow and black warning stripes. They can be either cast into foundations or bolted down with base plates. Parking guides are an economical solution with a very short return on investment. They are especially useful in conjunction with wide dock levellers or cushion seals, where accurate vehicle positioning is paramount.



Options parking guides



- 1 dock leveller
- 2 buffer
- 3 dock shelter
- 4 yard level

- 5 fixings (by hafa)
 - bolts
 - nuts M20
 - washer A21

- 6 base plates
(E) recommended

A	B1	B2
2400	2559	2910
2500	2659	3010
2600	2759	3110

A	B3	B4
2400	3080	3420
2500	3180	3520
2600	3280	3620

- L1 nominal length / axle base
- A access width
- B1 rear width / centre-to-centre distance
- B2 front width / centre-to-centre distance

- L2 overall length incl. base plates
- A access width
- B3 rear width incl. base plates
- B4 front width incl. base plates

Note: Preparation of the foundations by others.