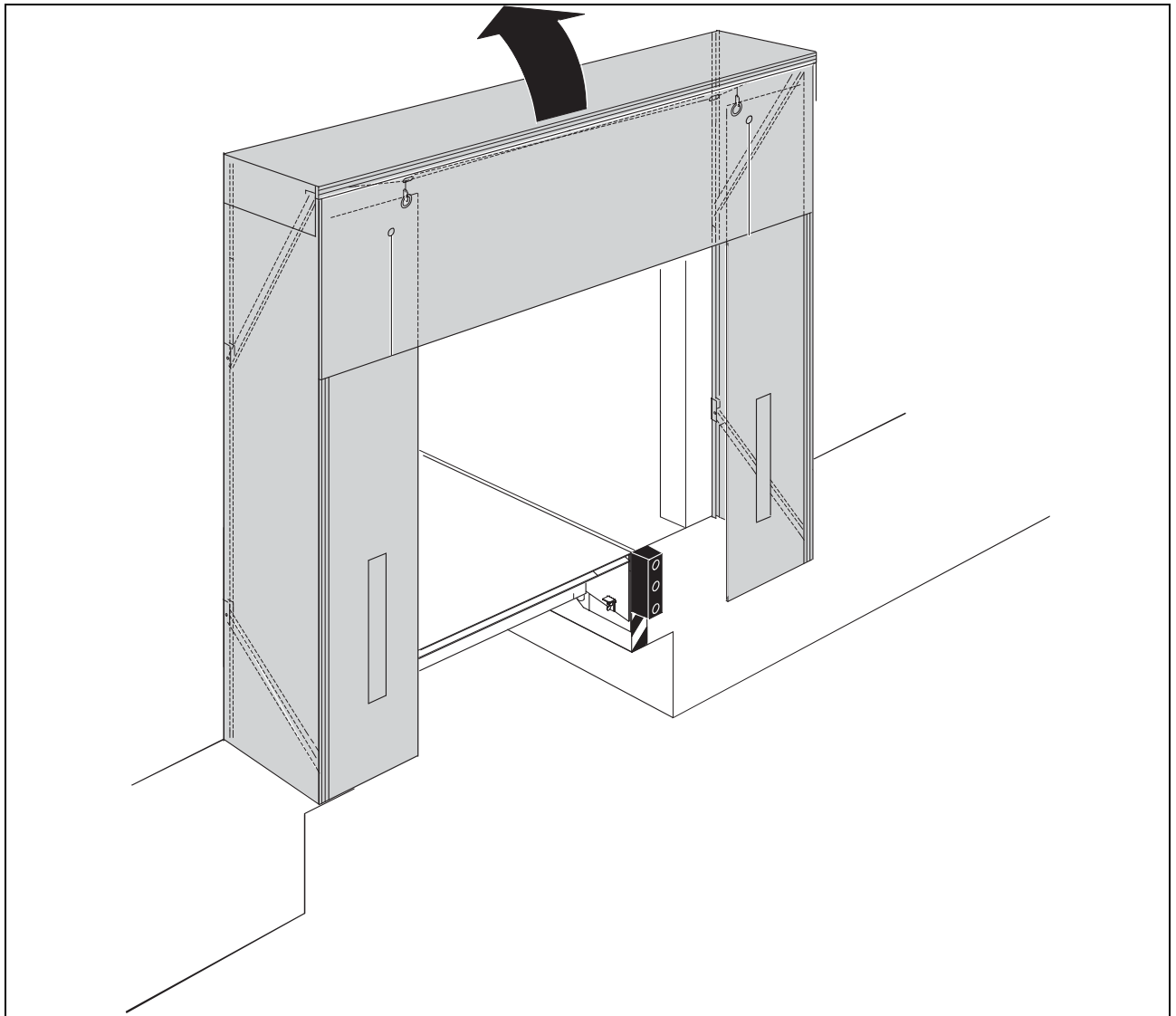


## Product data sheet

SMS

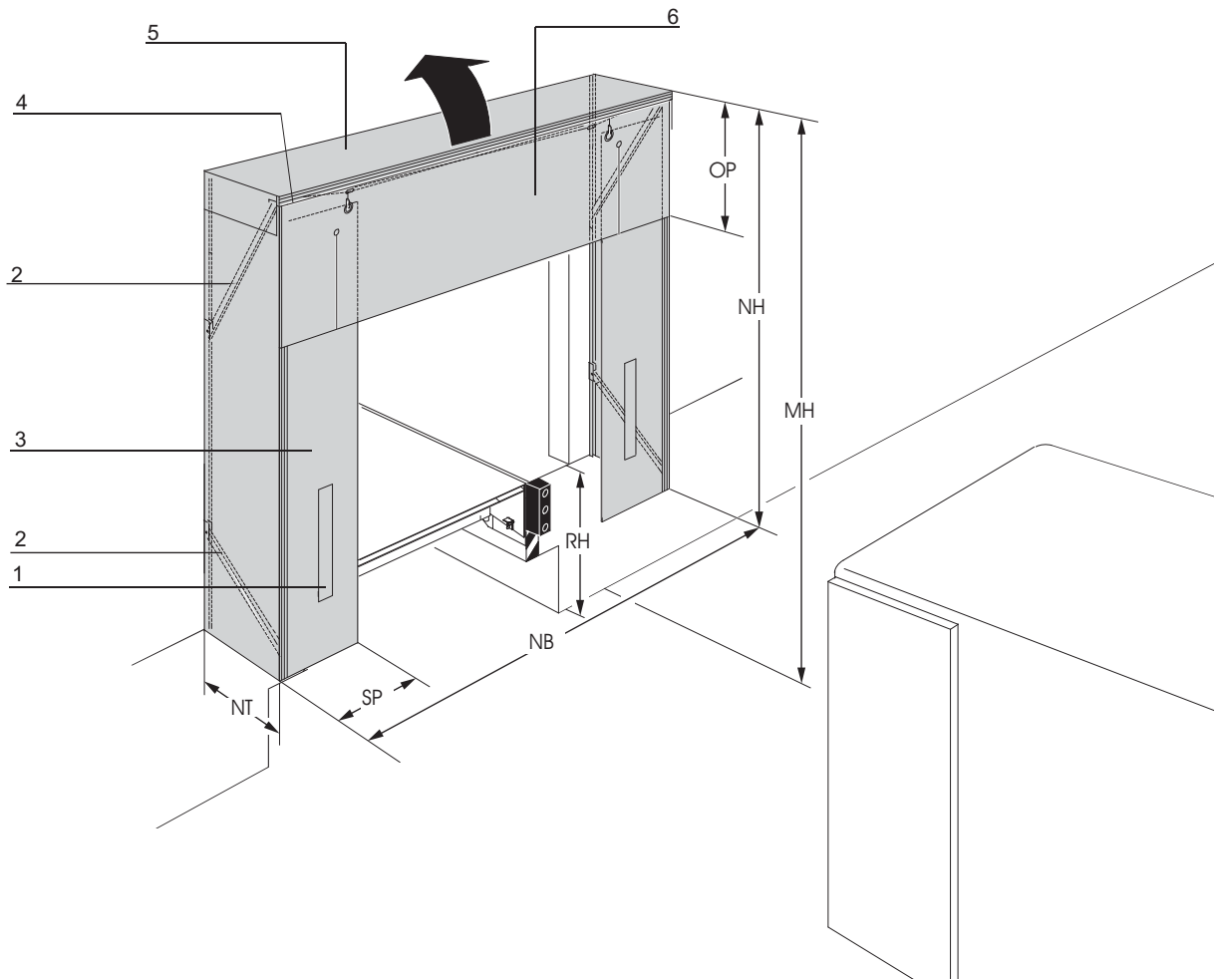
**Model SMS - Dock Shelter**

**Serial number: K4020127**



# Model SMS

The Model SMS Dock Shelter is designed for maximum flexibility. Should the vehicle be parked inaccurately, both sides of the shelter will spring back and the roof of the dock shelter will move upwards automatically, reducing damage to both the vehicle and the dock shelter to the bare minimum. The front and rear frame of the dock shelter are not rigidly fixed together but are connected by either bracing arms or extremely flexible coil springs which also react to impact from the side. The crash-resistant roof section moves upwards in its guide channel to adjust to demountables without causing damage. Inserted into the front frame on both sides and on top are easily replaceable curtains with a double woven polyester interlay. The top curtain is split in the wearing area. At small additional cost the top curtain is partly stripped with a double overlapping layer of material. The dock shelter supply includes all the necessary fixings and sealant.

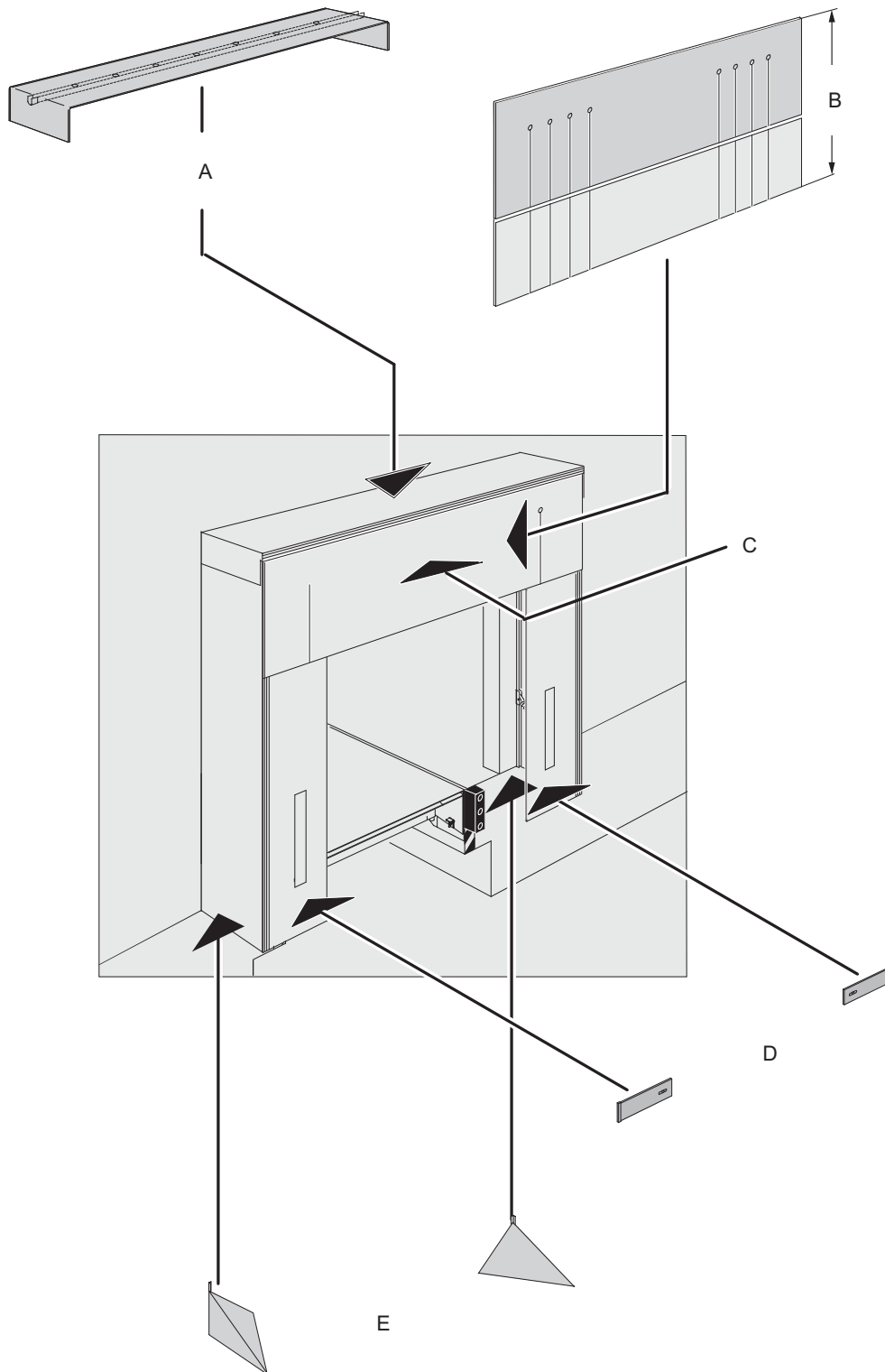


- 1 white parking guides
- 2 bracing arms
- 3 side curtains
- 4 extruded aluminium section
- 5 continuous roof cover
- 6 split top curtain

- NB nominal width
- NH nominal height
- OP length of top curtain
- SP width of side curtains
- NT nominal depth
- MH installation height
- RH dock height

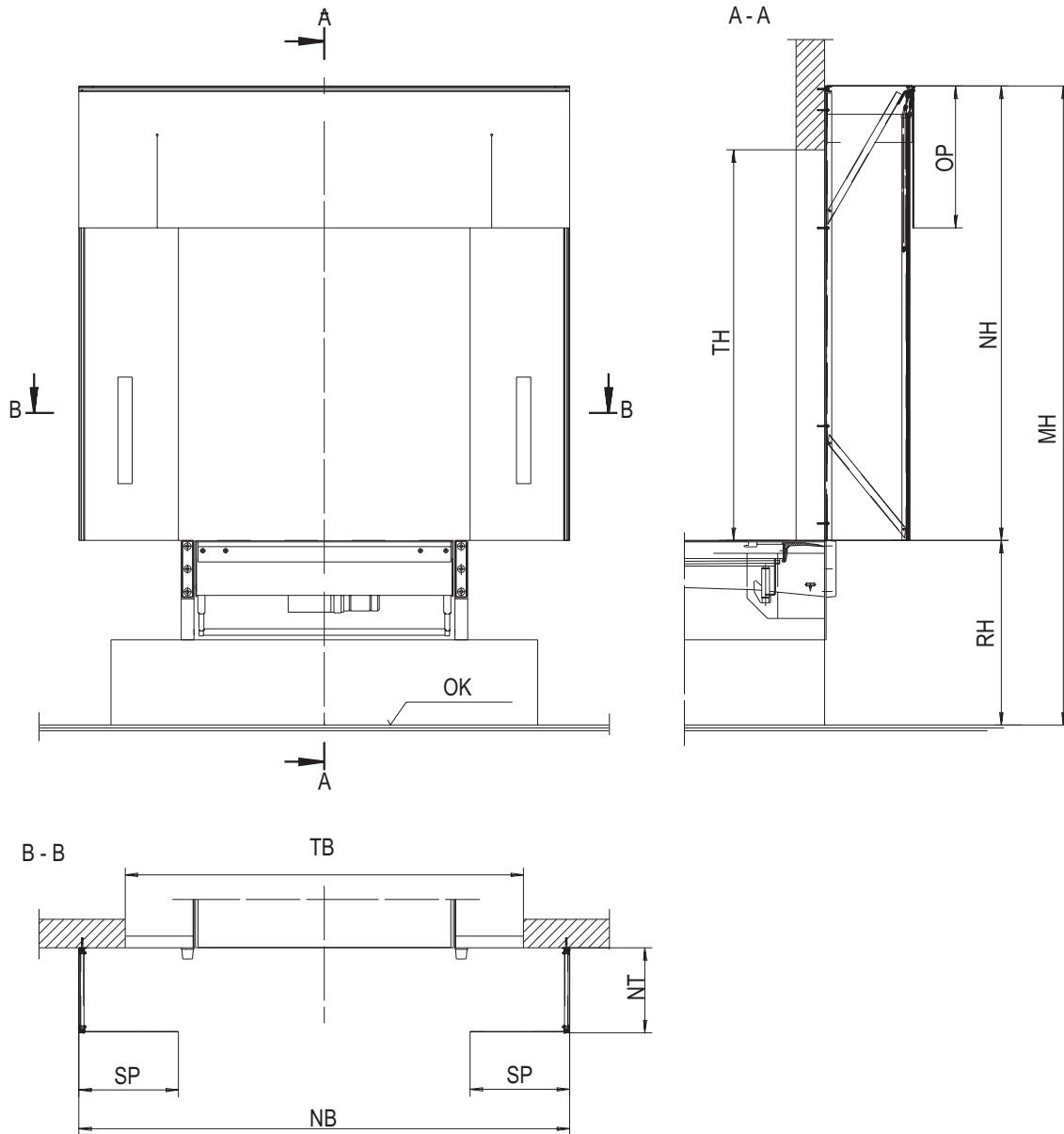
NB [mm]	NH [mm]	OP [mm]	SP [mm]	MH [mm]	NT [mm]
3250	3200	1000	600	4500	600/900
3250	3600	1000	600	4500	600/900
3450	3200	1000	700	4500	600/900
3450	3600	1000	700	4500	600/900

# Model SMS Options



- A rain channel in roof cover
- B stripped top curtain 1000-1750 mm
- C number added to top curtain
- D rubber flap to strengthen each side curtain
- E corner seals

# Dock Shelter Model SMS



OK yard level  
TH door height  
OP top curtain  
NH nominal height  
MH installation height

RH dock height  
TB door width  
SP side curtain  
NT nominal depth  
NB nominal width

## Material Specifications

### Top and side curtains

double thickness high quality polyester coating on both sides.  
weight approx. 3400 g/m<sup>2</sup>  
flammability to DIN 75200  
tensile strength to DIN 53354  
longitudinal strength: approx. 7000 N/5cm  
transverse strength: approx. 5000 N/5cm  
tear elongation to DIN 53363  
longitudinal: approx. 750 N  
transverse: approx. 900 N

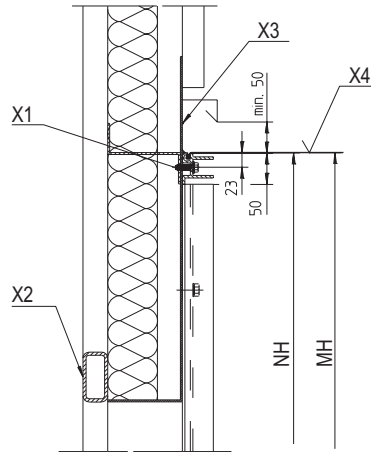
### Continuous roof cover

one layer high quality polyester coating on both sides.  
total weight approx. 600 g/m<sup>2</sup>  
flammability to DIN 75200  
tensile strength to DIN 53354  
longitudinal strength: approx. 2800 N/5cm  
transverse strength: approx. 2600 N/5cm  
tear elongation to DIN 53363  
longitudinal: approx. 250 N  
transverse: approx. 250 N

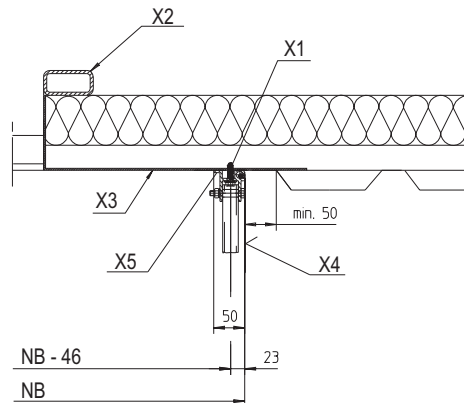
# Wall fixings for Model SMS

W1

C - C

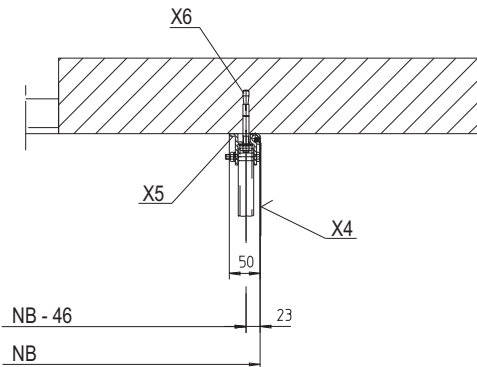
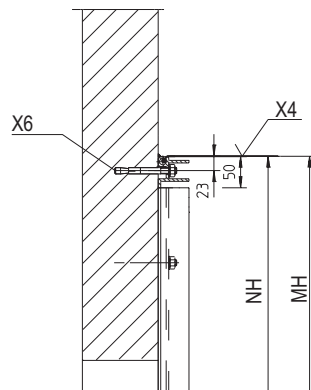


D - D



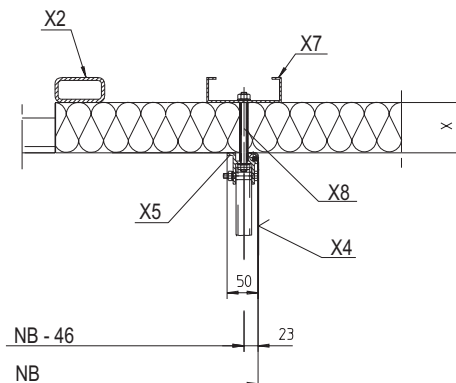
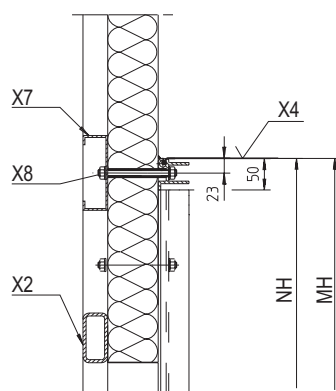
W2

C - C



W3

C - C

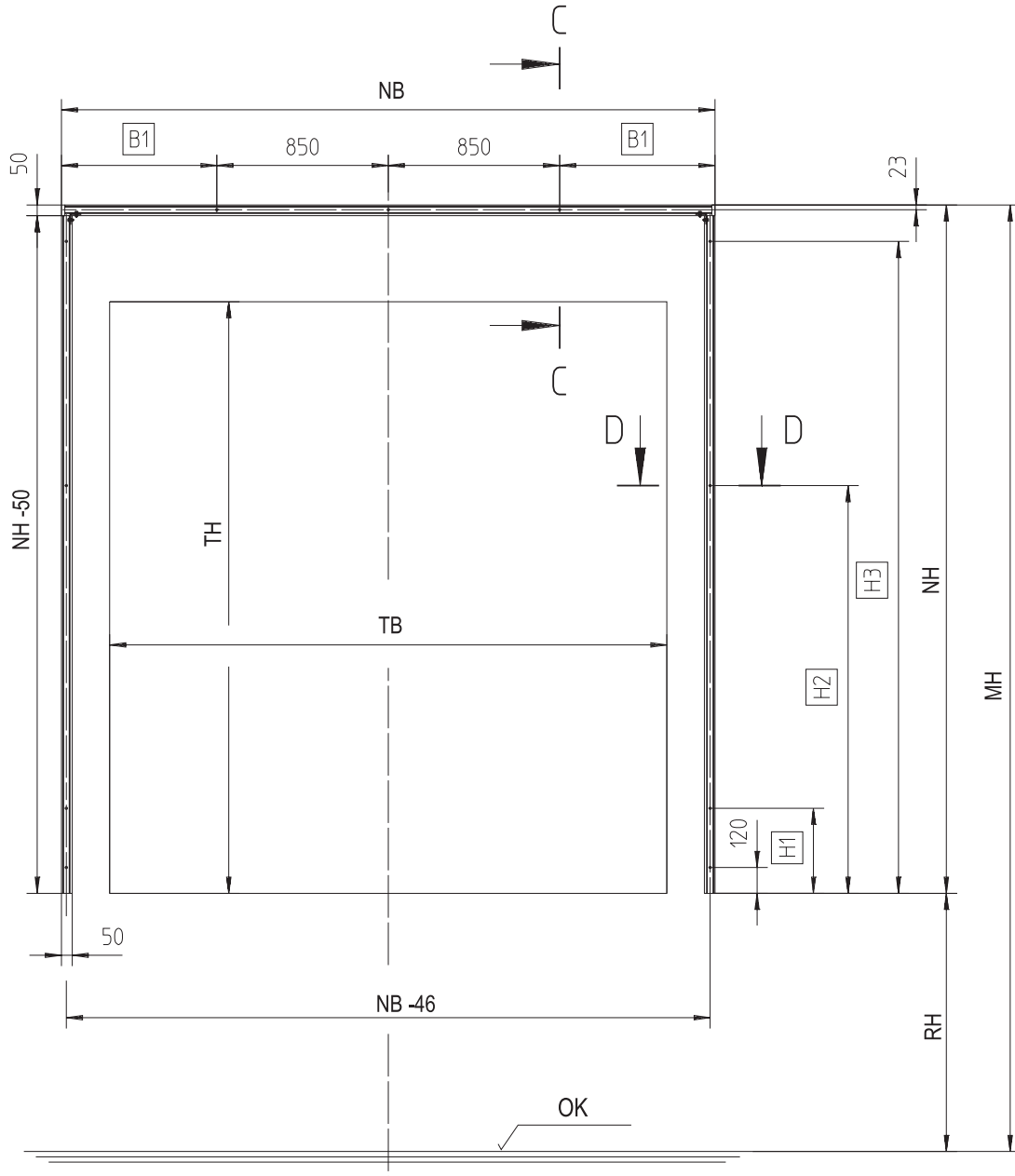


W1 Cavity Wall  
W2 Concrete Wall  
W3 Insulated Wall  
X1 self-tapping screw

X2 door mounting frame rectangular tube 80x40x2  
X3 sheet metal 3 mm thick  
X4 roof cover  
X5 extruded aluminium section - rear frame

X6 expansion bolt  
X7 mounting frame for dock shelter, 120x40x15x3  
X8 threaded bolt with nut, washer and spacer tube  
X2, X3, X7 are not included in installation price

# Fixing points



OK yard level  
TH door height  
OP top curtain  
NH nominal height  
MH installation height

RH dock height  
TB door width  
SP side curtain  
NT nominal depth  
NB nominal width

NB [mm]	NH [mm]	NT [mm]	B1 [mm]	H1 [mm]	H2 [mm]	H3 [mm]
3250	3200	600	775	805	2200	3030
3250	3200	900	775	1055	1680	3030
3250	3600	600	775	805	2600	3430
3250	3600	900	775	1055	2080	3430
3450	3200	600	875	805	2200	3030
3450	3200	900	875	1055	1680	3030
3450	3600	600	875	805	2600	3430
3450	3600	900	875	1055	2080	3430