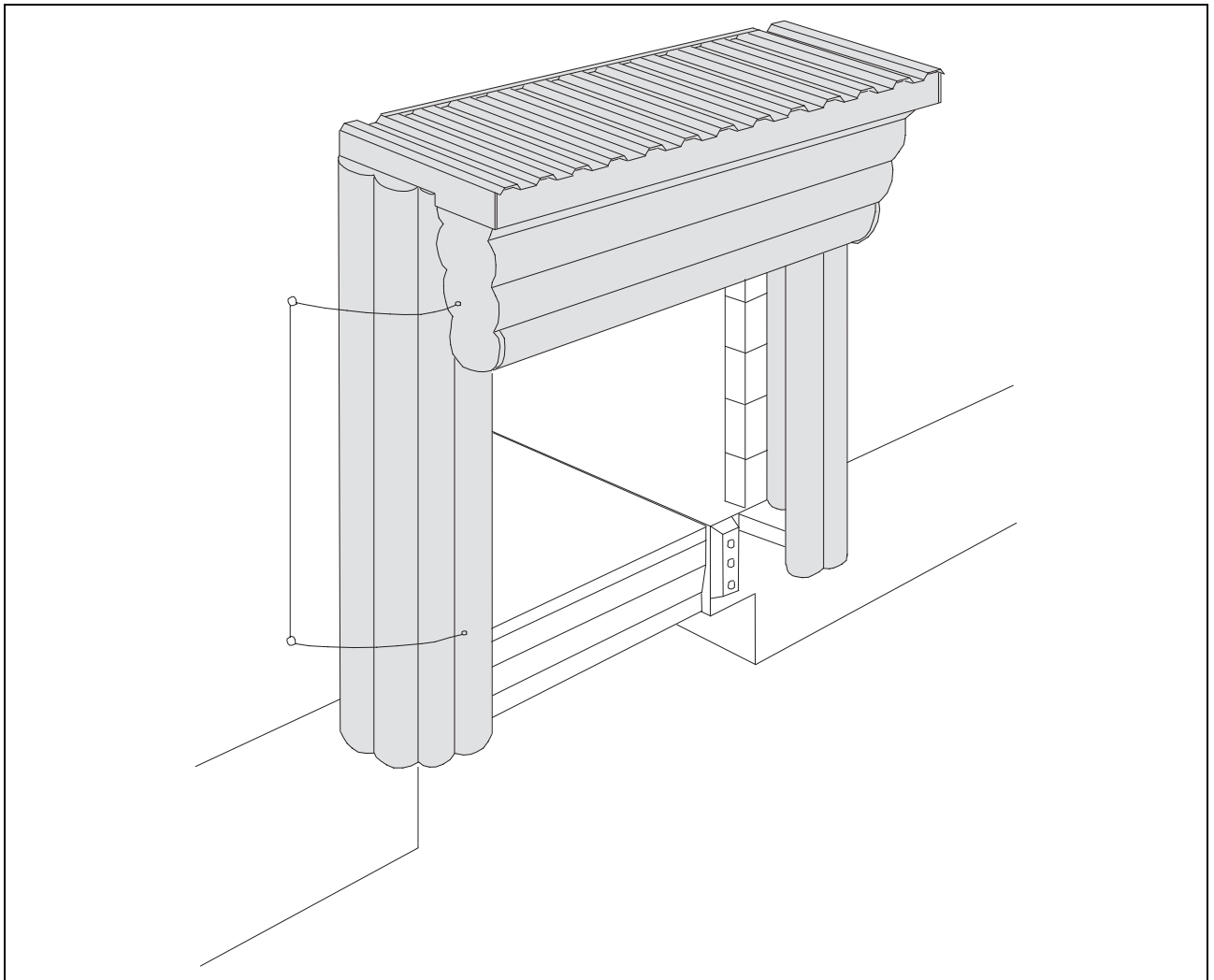


Product data sheet

SIE

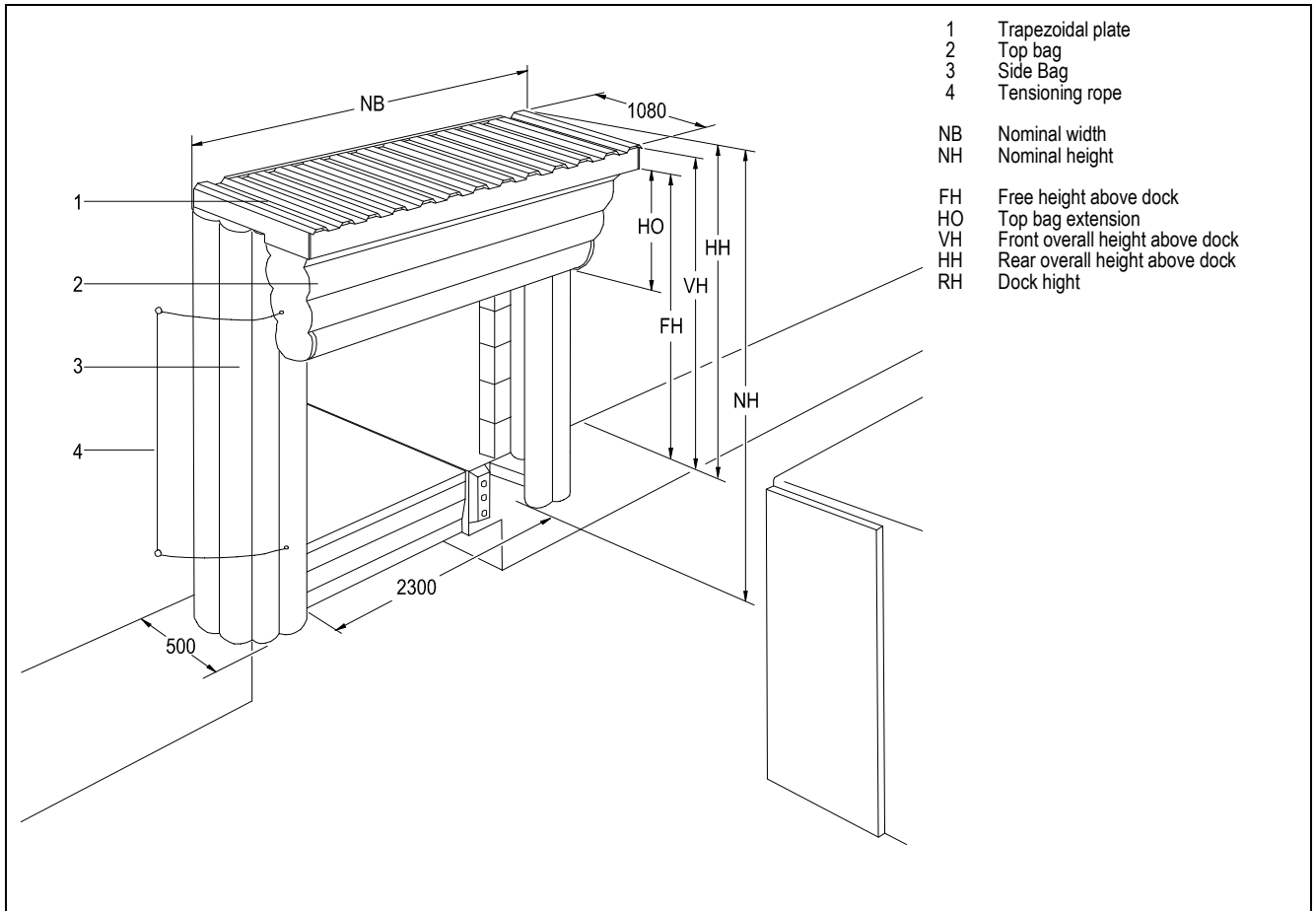
Model SIE – Inflatable Dock shelter

Serial number: K6600114



Dock shelter Model SIE

Outstanding sealing characteristics and very high insulation abilities turns this shelter into a kind of cooling lock for the loading process at cold-storage depots. The truck is not driven into the shelter as usual but only after docking the SIE will be inflated and put tightly around the coachwork. Due to this principle a unique adaptation to the most different kind of trucks can be obtained. The inflatable cushions being connected with each other are blown up and kept steadily under pressure during usage by a powerful but quiet blower. After loading is completed within seconds the side cushions are pulled aside automatically by tensioning ropes or counterweights and the top cushion is pulled up by a counterweight running on a shaft. The cushions are made up of a durable material with fabric inlay and are easy to replace. The material is inflammable, light-proof, weather and wear resistant. Supply contains the complete dock shelter including the roof made of a trapezoidal plate and all necessary fixings.

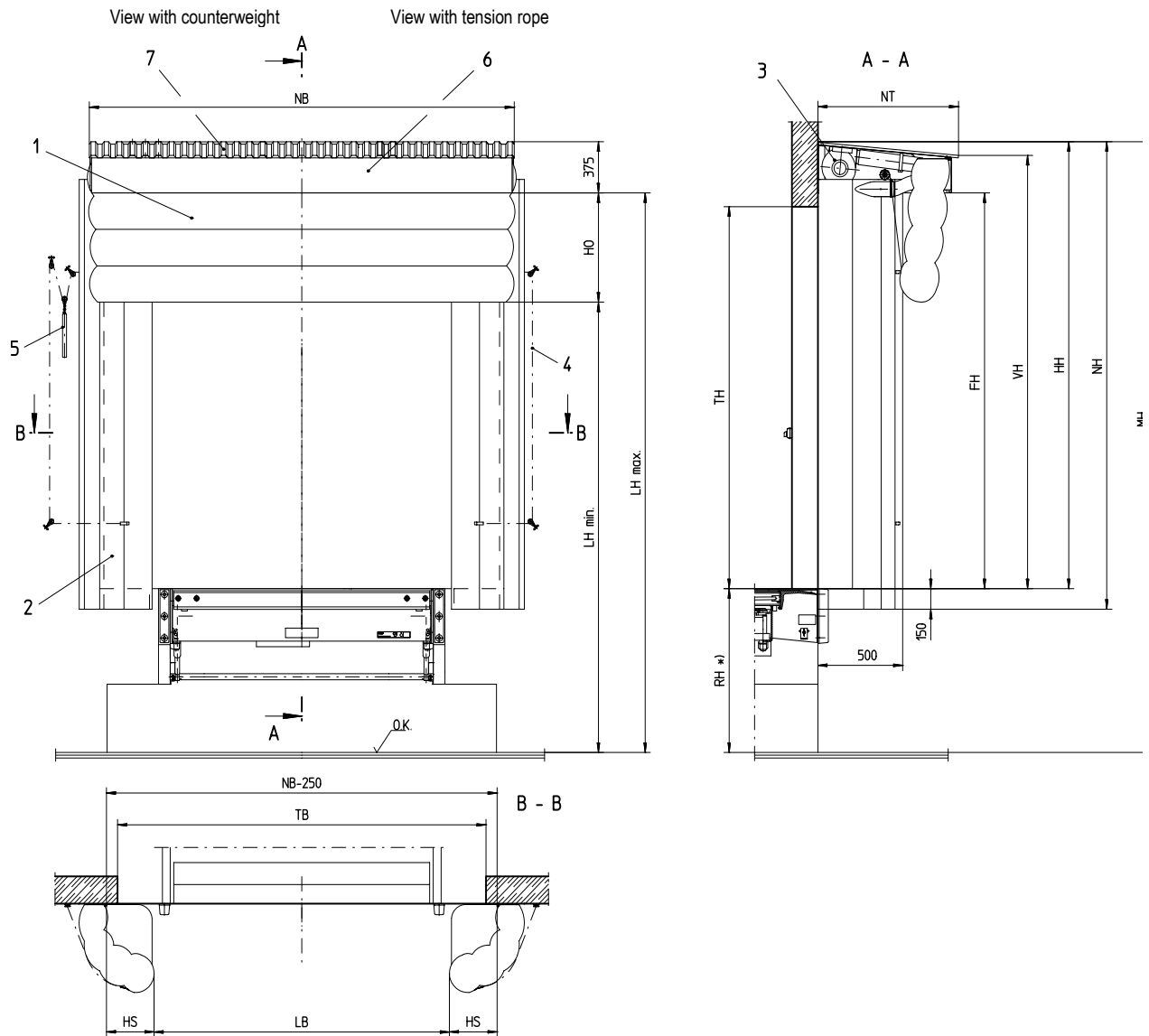


NB in mm	NH in mm	HO in mm	LH max.* in mm	LH min.* in mm	FH in mm	VH in mm	HH in mm	HS in mm	MH* in mm
3250	3425	800 / 1100	4100	3300 / 3000	2900	3175	3275	350 / LB=2300 500 / LB=2000	4475
	3775		4450	3650 / 3350	3250	3525	3625		4825
	3925		4600	3800 / 3500	3400	3675	3775		4975
	4375		5050	4250 / 3950	3850	4125	4225		5425
3550	3425	800 / 1100	4100	3300 / 3000	2900	3175	3275	350 / LB=2600 500 / LB=2300	4475
	3775		4450	3650 / 3350	3250	3525	3625		4825
	3925		4600	3800 / 3500	3400	3675	3775		4975
	4375		5050	4250 / 3950	3850	4125	4225		5425

NT for all sizes: 1080 mm

*) LH max., LH min., MH for RH=1200 mm

Torabdichtung Modell SIE



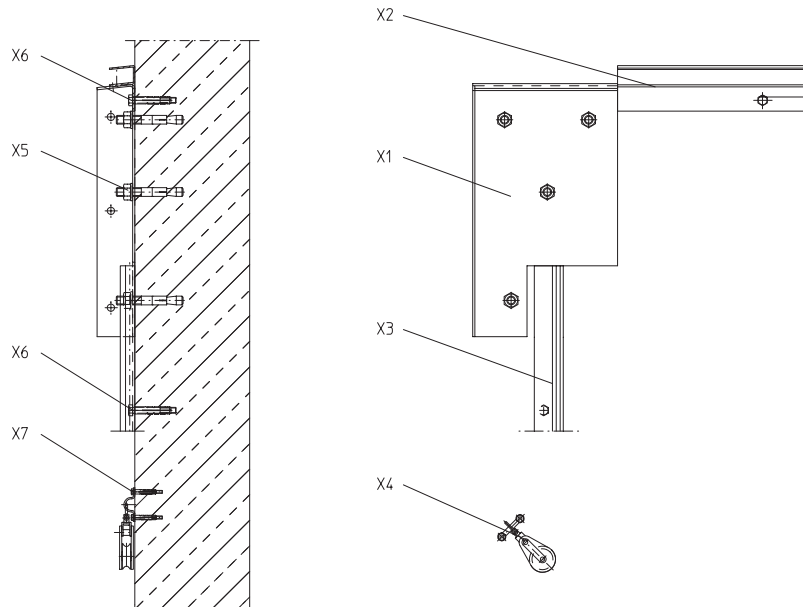
- 1 Top bag
- 2 Side bag
- 3 Blower
- 4 Tensioning rope
- 5 Counter weight
- 6 Front plate
- 7 Trapezoidal plate

- NB Nominal width
- NH Nominal height
- OK Yard level
- TH Door height
- TB Door width
- RH Dock height
- HO Travel top bag

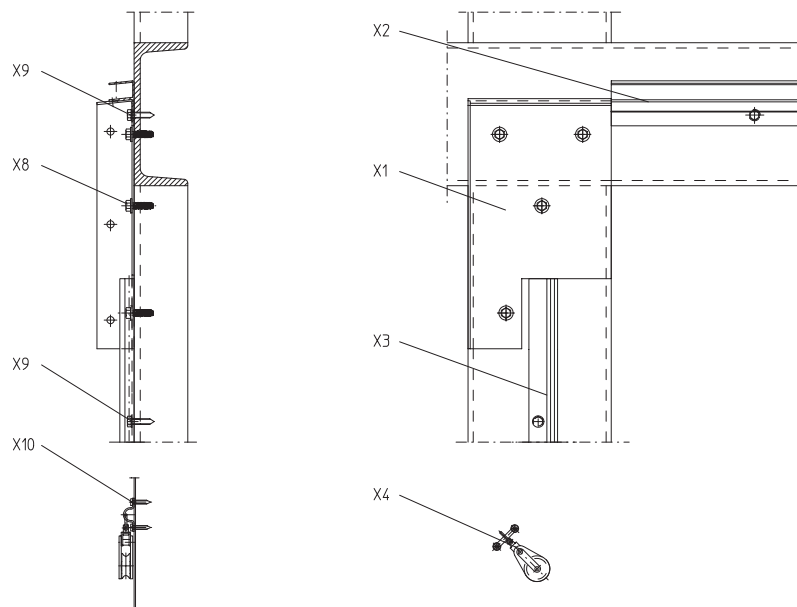
- FH Free height above dock height
- VH Total height front above dock height
- HH Total height bag above dock height
- MH Installation height
- LH Clear height above yard level
- LB Clear width

Wall fixings for Model SIE

Concrete



Steel



- | | | | |
|----|----------------------------------|-----|---|
| X1 | Console | X6 | Dowel with slotted round head wood screw 8x60 |
| X2 | F-profile top | X7 | Dowel with slotted round head wood screw 4x40 |
| X3 | C-profile side | X8 | Self drilling screw with washer 9,5x32 |
| X4 | Block pulley for tensioning rope | X9 | Self tapping screw with washer 8x32 |
| X5 | Heavy duty bolt Φ 12 | X10 | Self tapping screw 5,5x25 |

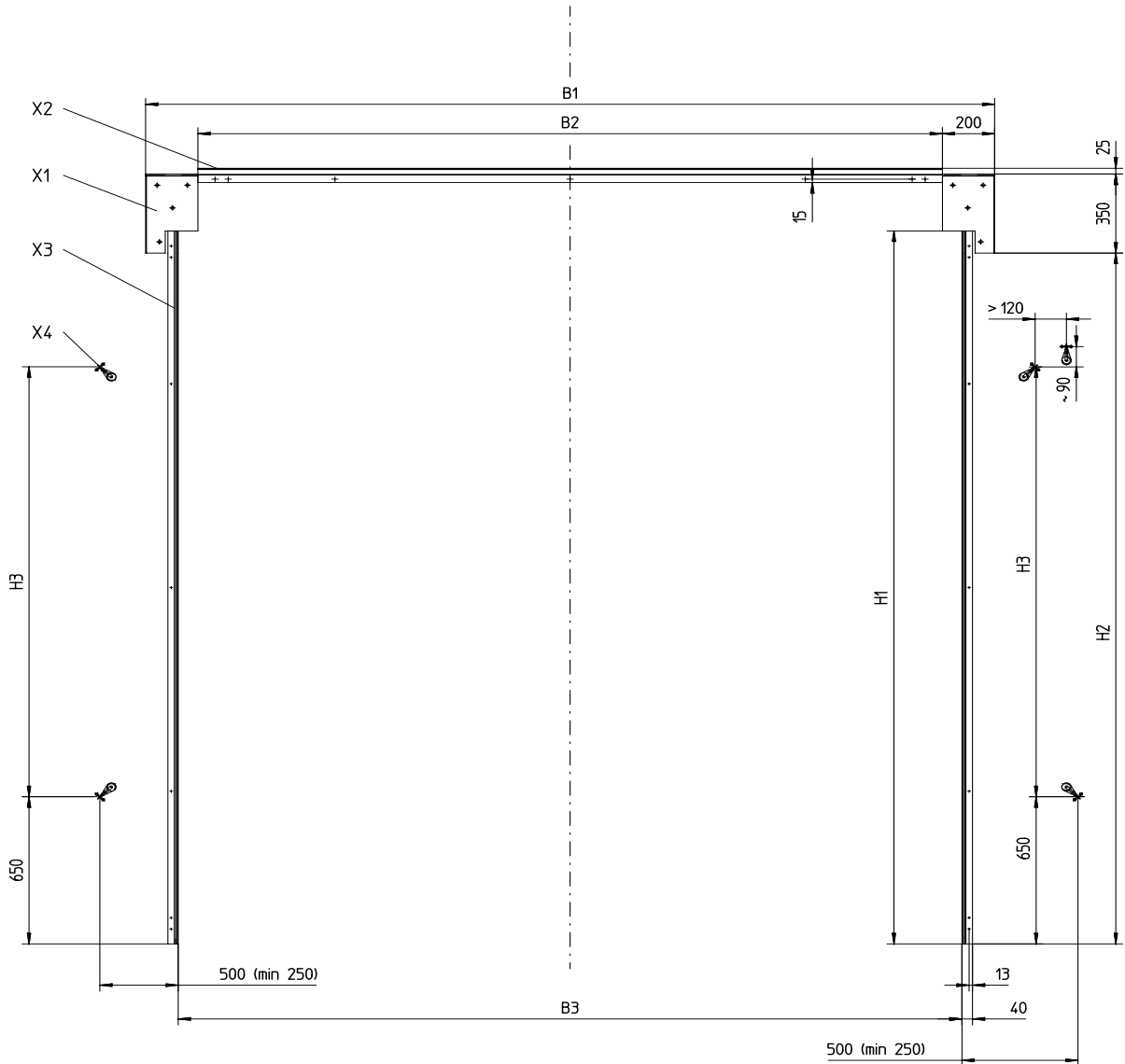
Note!

The wall surface at the installation point, NH + 150 mm und NB + 100 mm, should be smooth and flat!

Fixing points

For tensioning rope

For counterweight



X1 Console
X2 F-profile top
X3 C-profile side

X4 Block pulley for tensioning rope
NB Nominal width
NH Nominal height

NH in mm	H1 in mm	H2 in mm	H3 in mm
3425	3150	3052	1900
3775	3500	3402	2250
3925	3650	3552	2400
4375	4100	4002	2850

NB in mm	B1 in mm	B2 in mm	B3 in mm
3250	3250	2850	3000
3550	3550	3150	3300