



Copyright and Disclaimer Notice

Although the contents of this publication have been compiled with the greatest possible care, Crawford cannot accept liability for any damage that might arise from errors or omissions in this publication. We reserve the right to make appropriate technical modifications/replacements without prior notice.
No rights can be derived from the contents of this document.

Colour guides: Colour differences may occur due to different printing methods.

Crawford®, Megadoor®, hafa®, EconoRoll®, MobiGuard® and MobiOpener® are registered trademarks owned by The Cardo Group

Copyright © 2006-2008 Crawford

No part of this publication may be copied or published by means of printing, photocopying, microfilm or any other process whatsoever without prior permission in writing by Crawford.

All rights reserved



Technical facts

1.1 Features

Sizes – nominal height	3200, 3400, 3600, 3800, 4000, 4200, 4400, 4600 mm
Sizes – nominal width	3250, 3450 mm
Sizes – top curtain	1000, 1200, 1500 mm
Sizes – side curtain	600, 700 mm
Curtain colour	black
Parking guides	white, yellow
Wall fixings	concrete, for anchor rail

1.2 Performance

Top and side curtain material:	double layer high quality polyester coating on both sides
Front and rear frame	extruded aluminium profiles

1.2.1 Top and side curtains

double layer high quality polyester	
thickness:	3,0 mm
coating:	front and back
weight:	approx. 3400g/m ²
flammability:	DIN 75200
tensile strength:	DIN 53354 <ul style="list-style-type: none"> • longitudinal strength: approx. 7000 N/5cm • transverse strength: approx. 5000 N/5cm
tear elongation:	DIN 53363 <ul style="list-style-type: none"> • longitudinal strength: approx. 750 N • transverse strength: approx. 900 N

Contents

Copyright and Disclaimer Notice.....	ii
<hr/>	
Technical facts.....	iii
<hr/>	
1.1 Features.....	iii
1.2 Performance.....	iii
1.2.1 Top and side curtains.....	iii
<hr/>	
2. Description.....	5
<hr/>	
2.1 Application.....	5
2.2 Mode of operation.....	5
2.3 Overview.....	5
2.4 Standard.....	5
2.5 Options.....	5
2.6 Description of available options.....	6
<hr/>	
3. Specifications.....	7
<hr/>	
3.1 Dimensions.....	7
<hr/>	
4. Construction.....	8
<hr/>	
5. Building and space requirements.....	9
<hr/>	
5.1 Fixing points.....	9
<hr/>	
6. Service.....	10
<hr/>	
These keys open doors to better business.....	10
<hr/>	
7. Index.....	11
<hr/>	

2. Description

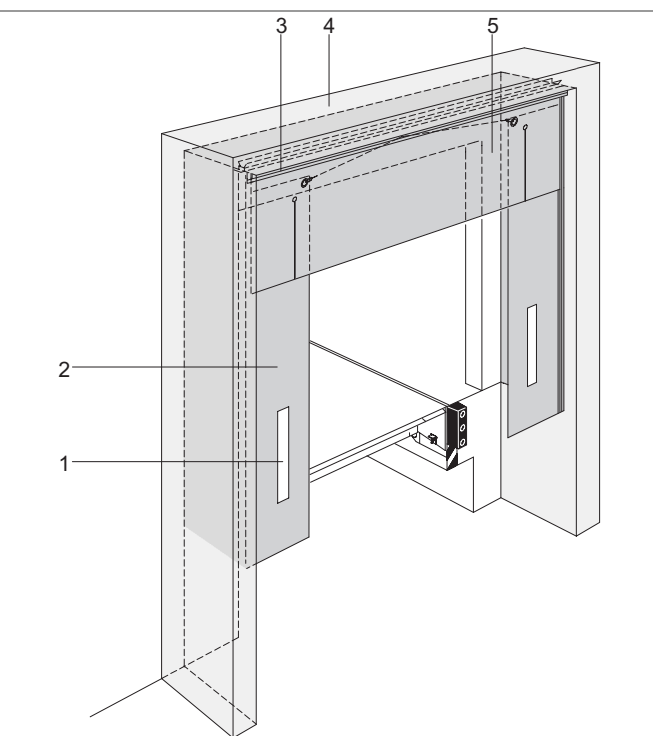
2.1 Application

The Crawford 663 curtain shelter SF is the standard solution for energy saving oriented operators. The curtain material has a very high wear and tear resistance. The Crawford curtain dock shelter programme comprises a number of models, meeting all customer demands and suitable for a wide range of vehicle sizes.

2.2 Mode of operation

The vehicle reverses into the dock shelter which seals it off with flexible side and top curtains, giving weather protection during the loading and unloading process. The result is an improved working environment and goods protection.

2.3 Overview



- 1 White parking guides
- 2 Side curtains
- 3 Extruded aluminium section
- 4 extension
- 5 Split top curtain

2.4 Standard

Nominal height	3200, 3400, 3600, 3800, 4000, 4200, 4400, 4600 mm
Nominal width	3250, 3450 mm
Side curtain	600, 700 mm
Top curtain	1000 mm
Curtain colour and material	black PVC fabric
Parking guides	white

2.5 Options

Top curtain	1000 mm splitted 1200 mm standard 1200 mm splitted 1500 mm standard 1500 mm splitted digit on top curtain
Side curtain	reinforced rubber flaps placed left and right in lower corners behind the front curtain. notching on both sides
Parking guides	yellow
Wall fixings	concrete, anchor rail
Corner seals	triangle or round cushions in lower corners of the dock shelter.

2.6 Description of available options

Standard options for improved working conditions and less draught into the building.

A Splitted top curtain

4 slits with double overlapping layer of PVC curtain material in the main wear area.

- Flexible coverage of rear top corners of docked vehicle for best sealing
- Less draught into the building

B Digit on top curtain

300 mm high letters or numbers printed in the middle of the top curtain.

- Individual customised marking of loading bays

C Reinforced rubber flaps

Robust rubber flap placed left and right in lower corners behind the front curtain

- Increased pressure on the docked vehicle body for best sealing
- Improved stability for the complete dock shelter in windy area
- Less draught into the building

D Corner seals

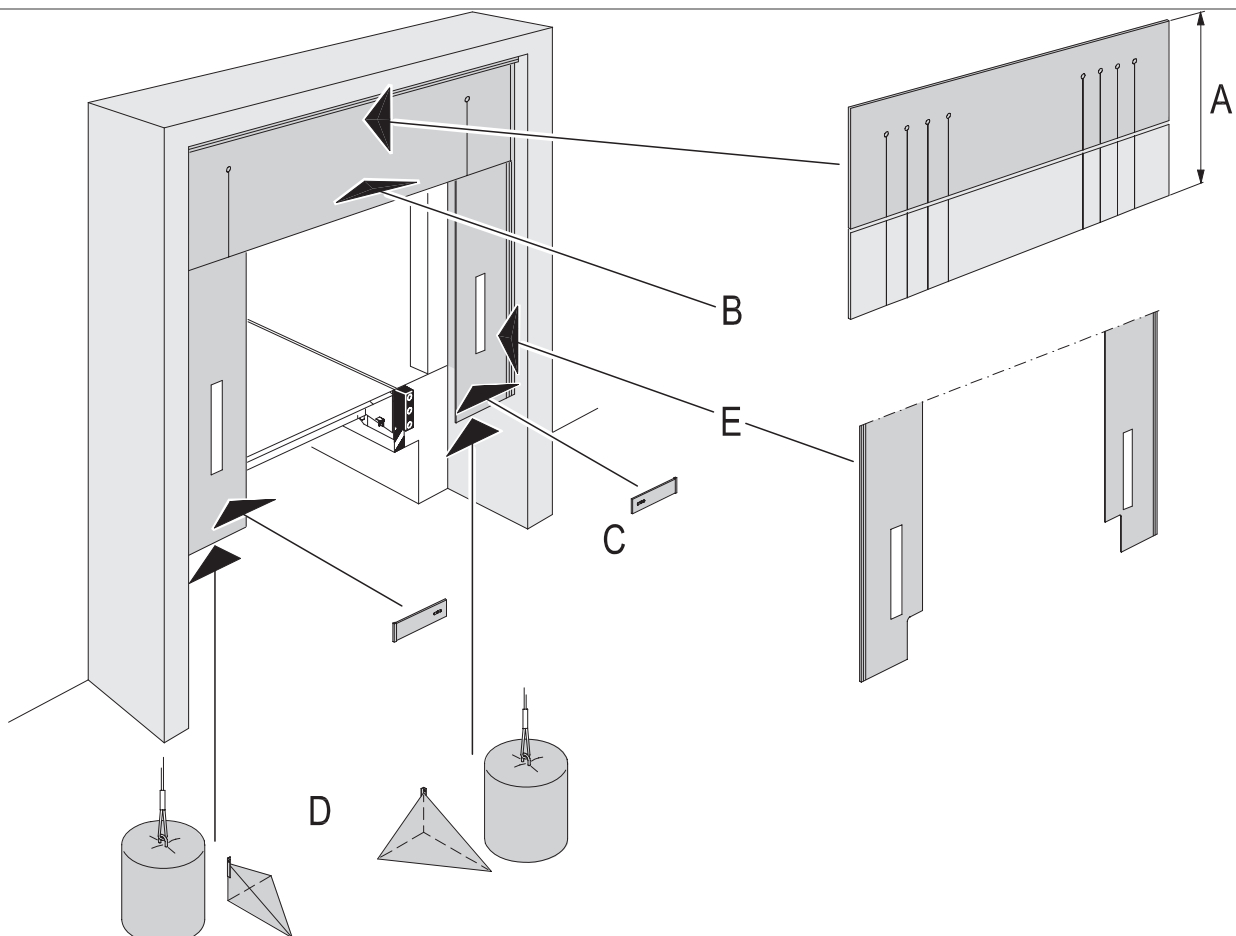
Triangle or round cushions covered with PVC curtain material in lower corners of the dock shelter.

- Minimization of draught from below during loading and unloading

E Notching

From factory a square of the lower corner front curtain is cut out.

- Avoid damaged front curtains due to the collision between vehicle and buffer.
- Recommended in combination with min. 140 mm deep buffers, like RB, EBH, EBF or steel spring buffer.





3. Specifications

3.1 Dimensions

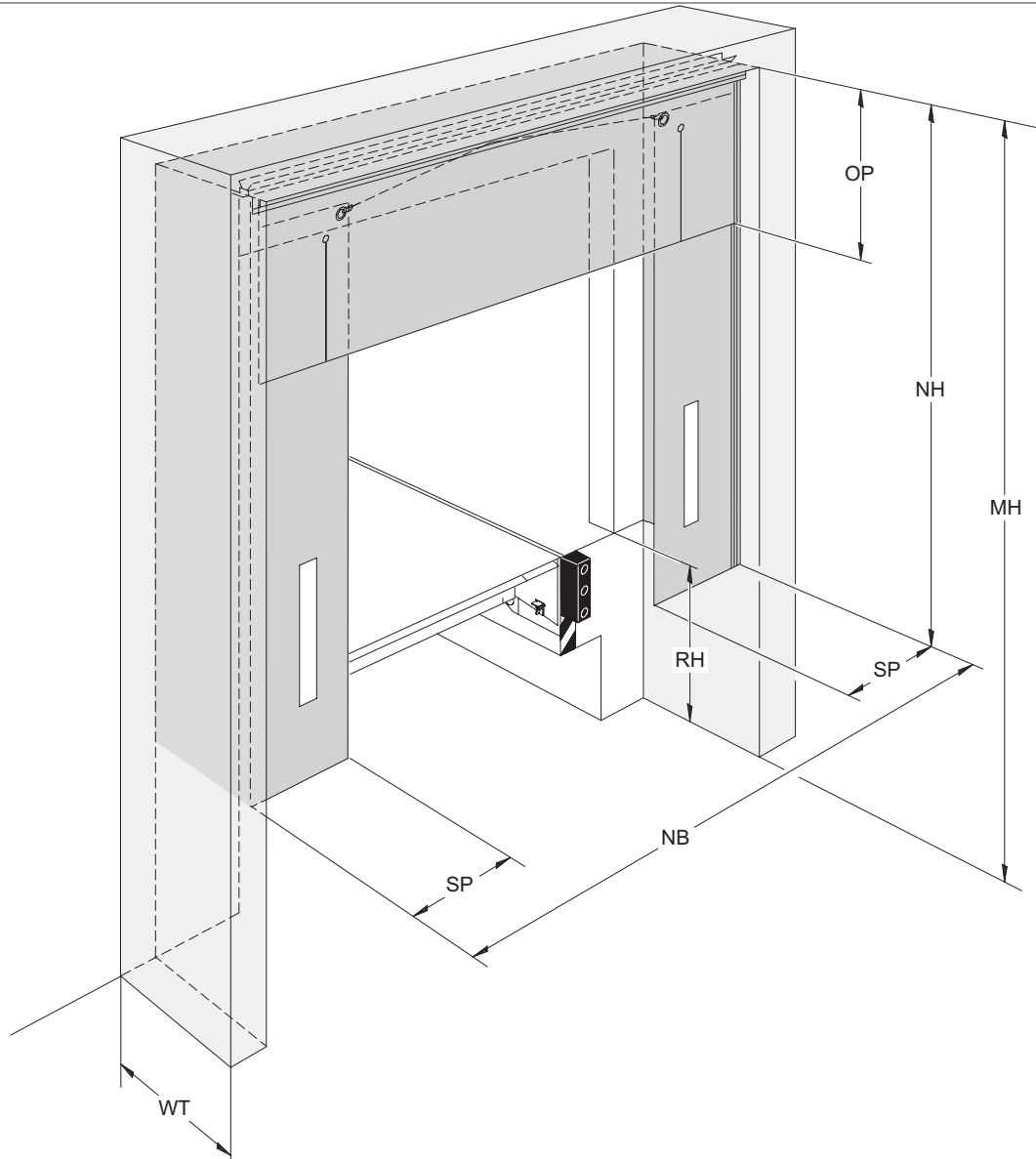
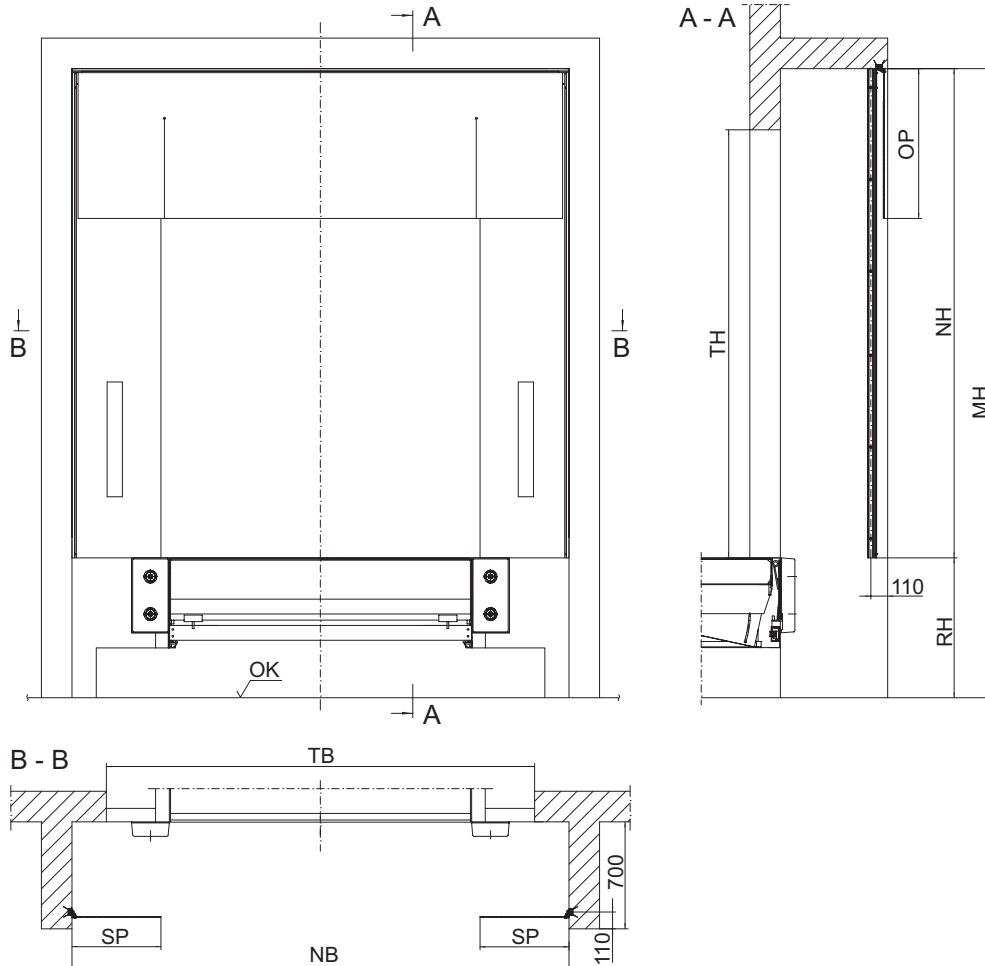


Abb.	Dimension	Value (mm)
NB	Nominal width	3250, 3450
NH	Nominal height	3200, 3400, 3600, 3800, 4000, 4200, 4400, 4600
OP	Length of top curtain	1000, 1200, 1500
SP	Width of side curtain	600, 700
MH	Installation height	4500
WT	Depth of extension	700
RH	Ramp height	

Q1.0 - 2009

4. Construction

The Crawford 663 curtain shelter SF comprises three extruded aluminium sections which are fitted into the sides and the top of an extension (by others) round the door. The easily replaced side and top curtains made from PVC with a double woven interlay are inserted into the grooves in the aluminium sections. The dock shelter supply includes all the necessary fixings and sealant.



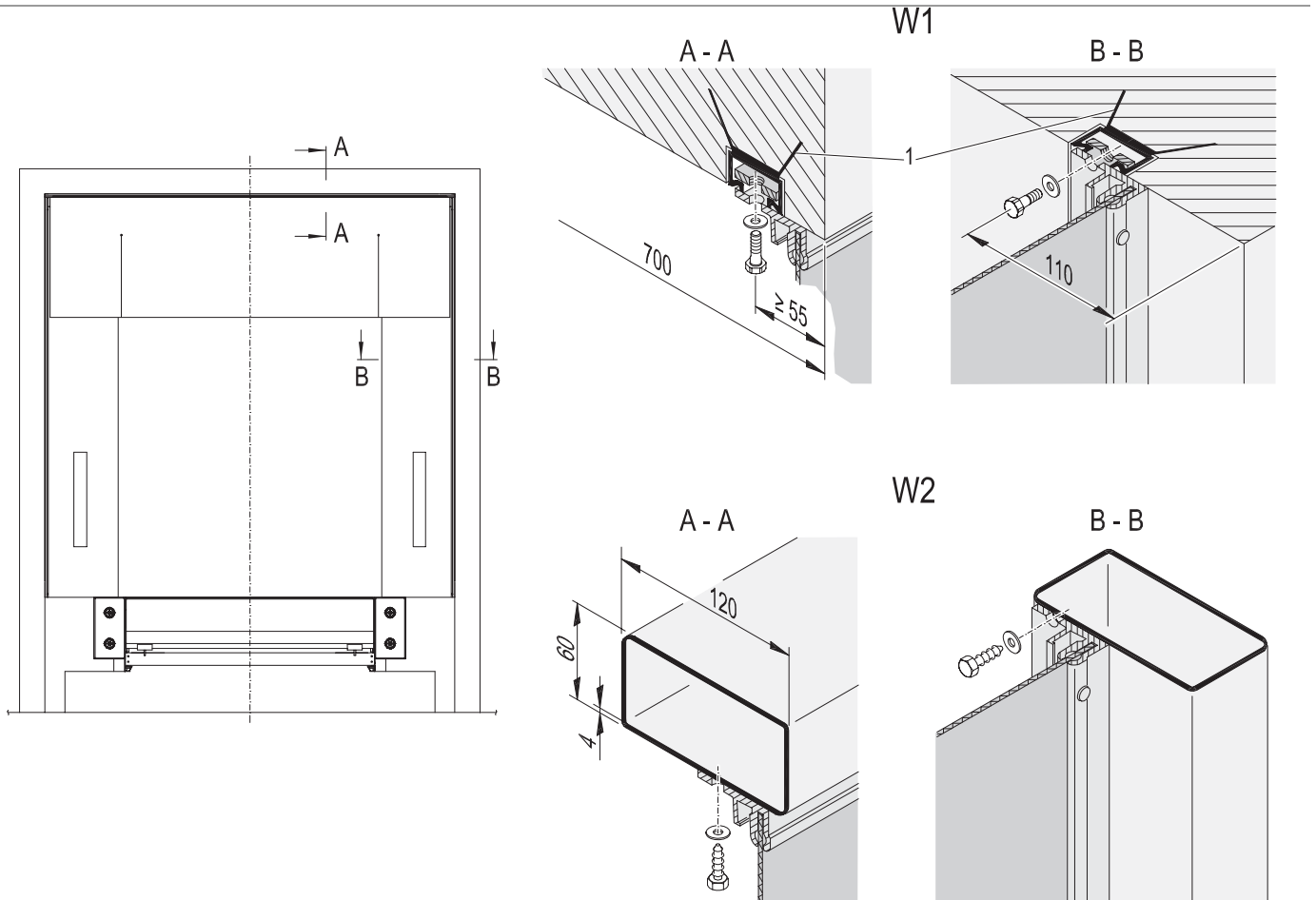
OK	Yard level
TH	Door height
OP	Top curtain
NH	Nominal height
MH	Installation height
RH	Dock height
TB	Door width
SP	Side curtain
NB	Nominal width

Q1.0 - 2009



5. Building and space requirements

5.1 Fixing points



- W1 Concrete wall
- W2 Fixing to steel
- 1 Fixing profile a40/22 supplied and cast-in by others

Q1.0 - 2009

6. Service



These keys open doors to better business

Regardless of their function, age or manufacturer, your industrial doors and dock loading systems have an important role in the flow of your business. That's why it makes sense to plan their maintenance long before the need for service occurs.

A Key Customer Service agreement from Crawford is your best assurance of safe and trouble-free door and dock operation. By becoming a key customer, you not only reduce the risk of breakdowns, but also guarantee compliance with local regulations and the new harmonised EU standards. You also ensure that your doors and dock loading systems retain their classifications for wind load, air permeability, water penetration and more.

Four types of Key Customer Service agreement – Green, Yellow, Blue and Red – allow us to tailor our service to your specific needs. Based on the role of your doors and dock loading systems, and the intensity with which you use them, you receive service that provides the perfect balance of economy, safety and security.

Best of all, the maintenance is performed by Crawford's renowned team of service technicians. As a qualified specialist in industrial doors and dock loading systems, we have the knowledge and skills to service any door or dock, regardless of its type, age or manufacturer. With Crawford as a single source for all your door and docking equipment brands, you can easily reduce costs while increasing equipment availability.



7. Index

A

Application 5

B

Building and space requirements
..... 9

C

Construction 8
Copyright and Disclaimer Notice
..... ii

D

Description..... 5
Description of available options 6
Dimensions..... 7

F

Features iii
Fixing points 9

M

Mode of operation..... 5

O

Options 5
Overview 5

P

Performance iii

S

Service 10
Specifications 7
Standard..... 5

T

Technical facts..... iii
Top and side curtains iii

Crawford is a leading international provider of door and logistics solutions. The carefully selected programme of doors and dock loading equipment, combined with profound application know-how and an unparalleled service offering, is the reason why more than a million customers have chosen Crawford as the preferred supplier for trouble-free operation around the clock.

