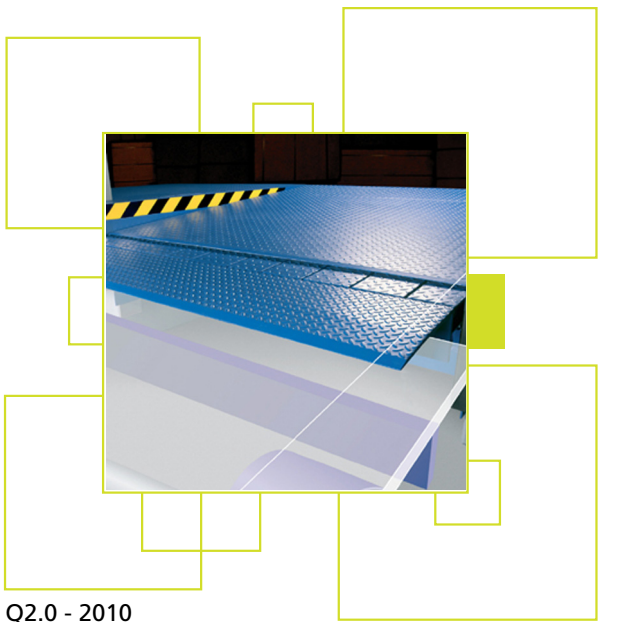


Crawford 620 Teledock replacement frame

Product datasheet



Q2.0 - 2010

Copyright and Disclaimer Notice

Although the contents of this publication have been compiled with the greatest possible care, ASSA ABLOY Entrance Systems cannot accept liability for any damage that might arise from errors or omissions in this publication. We also reserve the right to make appropriate technical modifications/replacements without prior notice.

No rights can be derived from the contents of this document.

Color guides: Color differences may occur due to different printing and publication methods.

ASSA ABLOY, Crawford, Megadoor and hafa, as words and logos, are examples of trademarks owned by ASSA ABLOY Entrance Systems or companies within the ASSA ABLOY Group.

Copyright © ASSA ABLOY Entrance Systems 2006-2012

No part of this publication may be copied or published by means of scanning, printing, photocopying, microfilm or any other process whatsoever without prior permission in writing by ASSA ABLOY Entrance Systems.

All rights reserved



Contents

Copyright and Disclaimer Notice	2
Contents	3
1 Description	5
1.1 Application.....	5
1.2 Replacement procedure	5
1.3 Pit dimensions form.....	6
2 Service	9
Index	11



1 Description

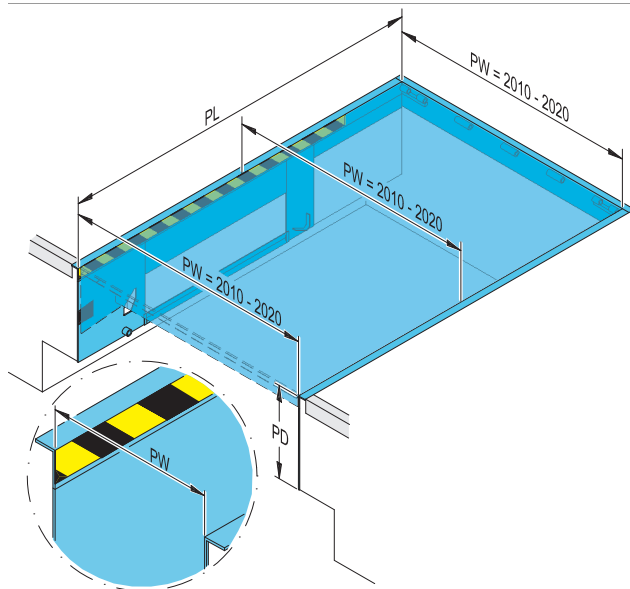
1.1 Application

The Crawford 620 teledock replacement F-frame is a cost-effective upgrade solution to replace obsolete dock levellers. It is designed to weld the leveller directly to the old existing leveller's frame. The existing old leveller frame must be hanging from 3 sides (like type T or W) and must be in good condition. This new replacement solution was especially developed for the replacement of existing levellers installed in an open pit - not only in a closed pit. As part of the Crawford 620 teledock, this system meets the standard demands of most loading operations and fully complies with rules and regulations of the European Standard EN 1398. This solution is available for the 60kN teledock leveller. For detailed information about the Crawford 620 teledock, please refer to the respective product datasheet.

1.2 Replacement procedure

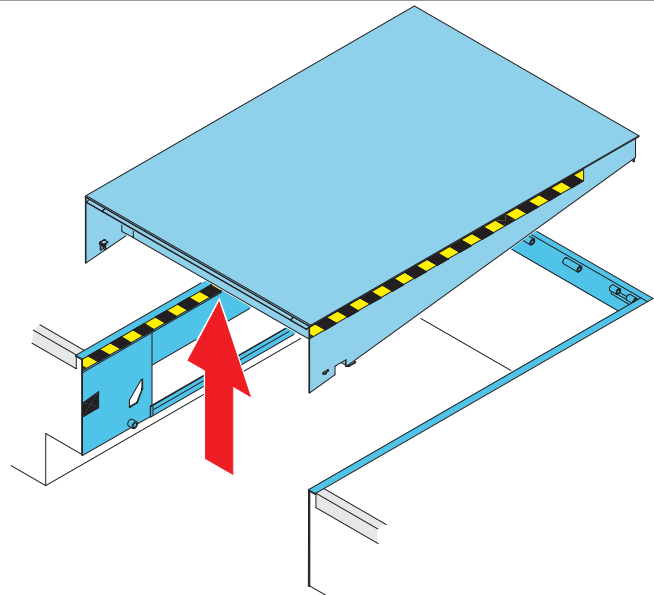
Step 1

Check the dimensions of the existing pit



Step 2

Remove existing leveller



The replacement F-frame is only available in standard width NW 1960 mm [requires PW = 2010-2010 mm].

Remove the old leveller.

Leave the old leveller's steel frame in the pit

The following sizes are available.*

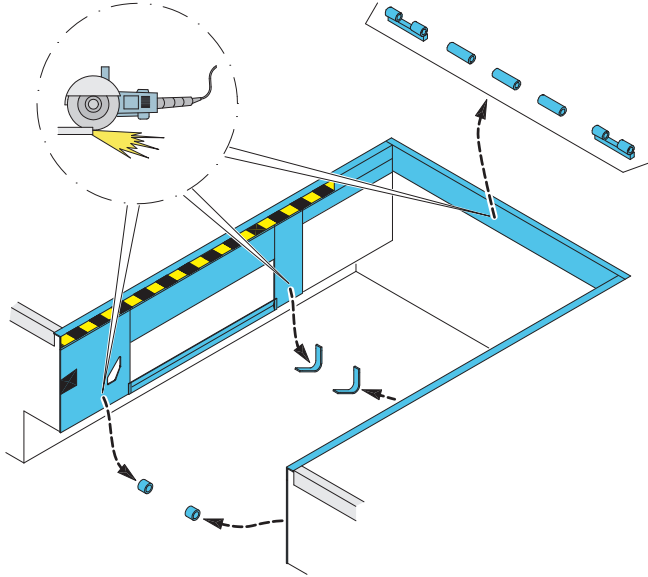
Existing pit	New leveller
PL 1990 mm	NL 2000 mm
PL 2490 mm	NL 2500 mm
PL 2990 mm	NL 3000 mm
PD 610 mm	LH 600 mm
PD 710 mm	LH 700 mm
PD 810 mm	LH 800 mm

*Other sizes are available on request.

Use the Pit Dimensions Form - page 6 of this product datasheet.

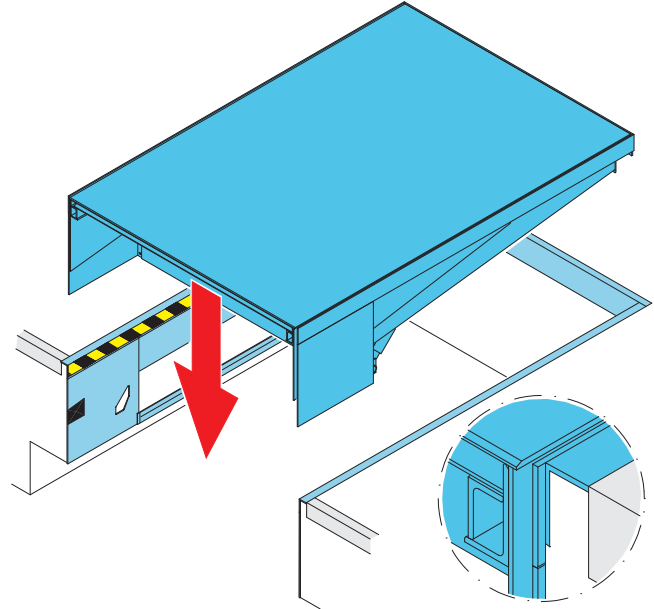
Step 3

Prepare the pit for the new leveller



Step 4

Place new leveller

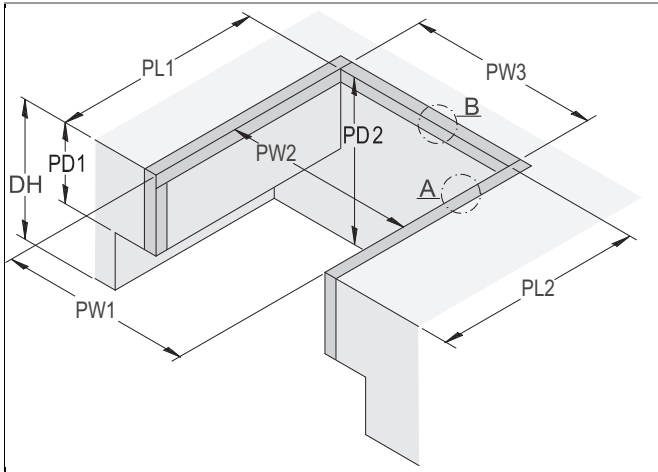


Cut away the rear hinges. Completely disconnect the old leveller splat from the pit. Keep the old leveller's steel frame in the pit.

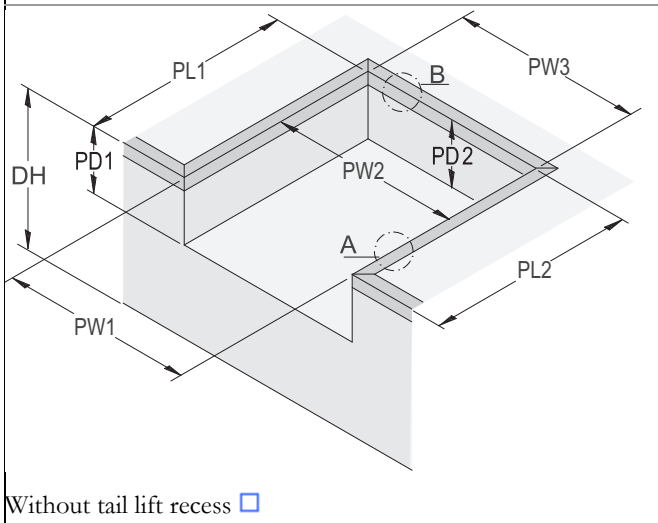
Weld the new leveller directly to old existing leveller's frame on all three sides. When installed, the front end of the new leveller will exceed the dock edge by 25 mm.



1.3 Pit dimensions form



With tail lift recess



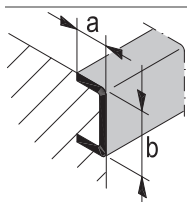
Without tail lift recess

Please sketch other kind of profile with dimensions

Other pit design

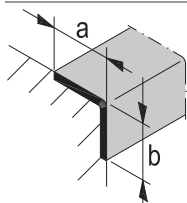
Pit dimensions (plain steel dimensions)

PL1	=	[mm]	pit length left
PL2	=	[mm]	pit length right
PW1	=	[mm]	pit width front
PW2	=	[mm]	pit width middle
PW3	=	[mm]	pit width back
PD1	=	[mm]	pit depth front
PD2	=	[mm]	pit depth back
DH	=	[mm]	dock height



Existing steel dimensions

side	a	=	[mm]
<input type="checkbox"/> A	b	=	[mm]
back	a	=	[mm]
<input type="checkbox"/> B	b	=	[mm]



Existing steel dimensions

side	a	=	[mm]
<input type="checkbox"/> A	b	=	[mm]
back	a	=	[mm]
<input type="checkbox"/> B	b	=	[mm]

Remarks:

2 Service



These keys open doors to better business

Regardless of their function, age or manufacturer, your industrial doors and dock loading systems have an important role in the flow of your business. That's why it makes sense to plan their maintenance long before the need for service occurs.

A Key Customer Service agreement from Crawford is your best assurance of safe and trouble-free door and dock operation. By becoming a key customer, you not only reduce the risk of breakdowns, but also guarantee compliance with local regulations and the new harmonised EU standards. You also ensure that your doors and dock loading systems retain their classifications for wind load, air permeability, water penetration and more.

Four types of Key Customer Service agreement – Green, Yellow, Blue and Red – allow us to tailor our service to your specific needs. Based on the role of your doors and dock loading systems, and the intensity with which you use them, you receive service that provides the perfect balance of economy, safety and security.

Best of all, the maintenance is performed by Crawford's renowned team of service technicians. As a qualified specialist in industrial doors and dock loading systems, we have the knowledge and skills to service any door or dock, regardless of its type, age or manufacturer. With Crawford as a single source for all your door and docking equipment brands, you can easily reduce costs while increasing equipment availability.



Index

A

Application5

C

Copyright and Disclaimer Notice .2

D

Description5

P

Pit dimensions form6

R

Replacement procedure5

S

Service9

Crawford is a leading ASSA ABLOY brand focusing on automated entrance solutions for efficient movement of vehicles and goods. With a complete portfolio of door and docking solutions, an extensive service offer and professional advice, we help customers ensure convenient, safe, secure and energy saving operations around-the-clock.

Crawford is represented in more than 30 countries and is part of ASSA ABLOY Entrance Systems, which also includes the globally recognized Megadoor and Besam brands.